

REV

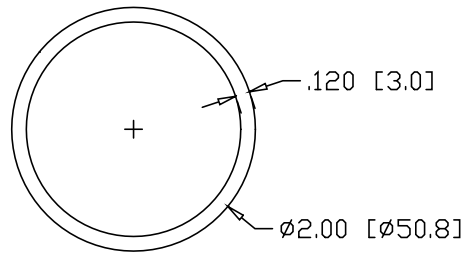
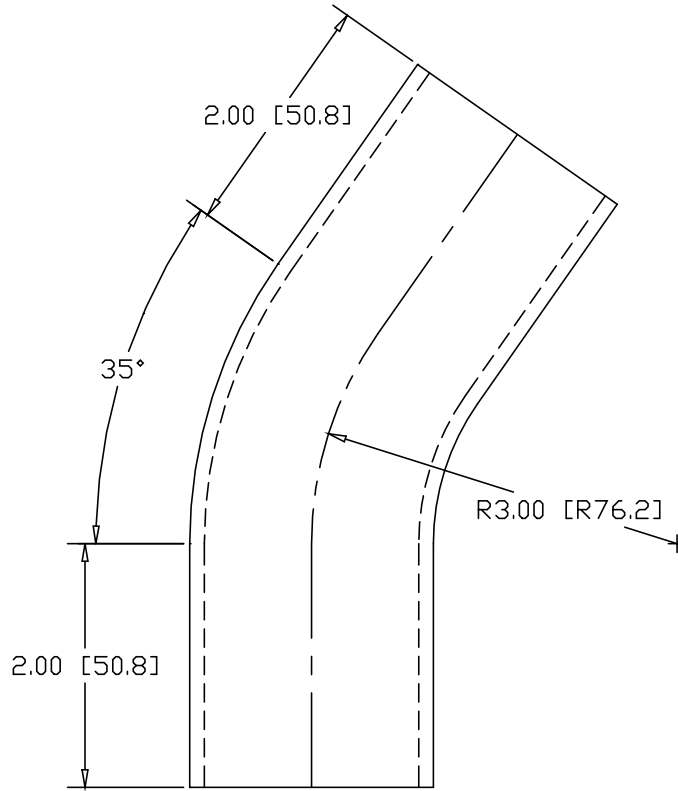
SH

7951

DWG NO

REVISIONS

REV	DESCRIPTION	DATE	APPROVED
-----	-------------	------	----------



INCHES [MILLIMETERS]

ALTERNATE MATERIAL	PART NUMBER
2" O.D. X .125W (6061) ALUMINUM TUBE	7967
2" O.D. X .120W (304) STAINLESS STEEL TUBE	7983

PART NAME 2" O.D. TUBE 35° ELL X 3"CLR W/ (2) 2" TANGENTS				
MATERIAL 2" O.D. X .120W STEEL TUBE				
DATE 8/24/00	WAGNER	R & B WAGNER, INC.		
DRAWN BY RJF				
FINISH MILL	SIZE A	WEIGHT 1.18 LBS	PART NUMBER 7951	REV