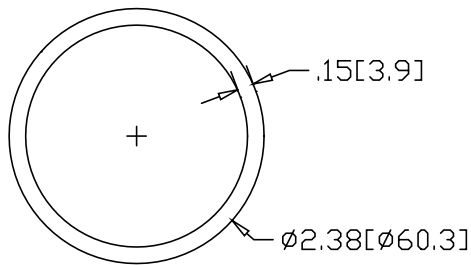
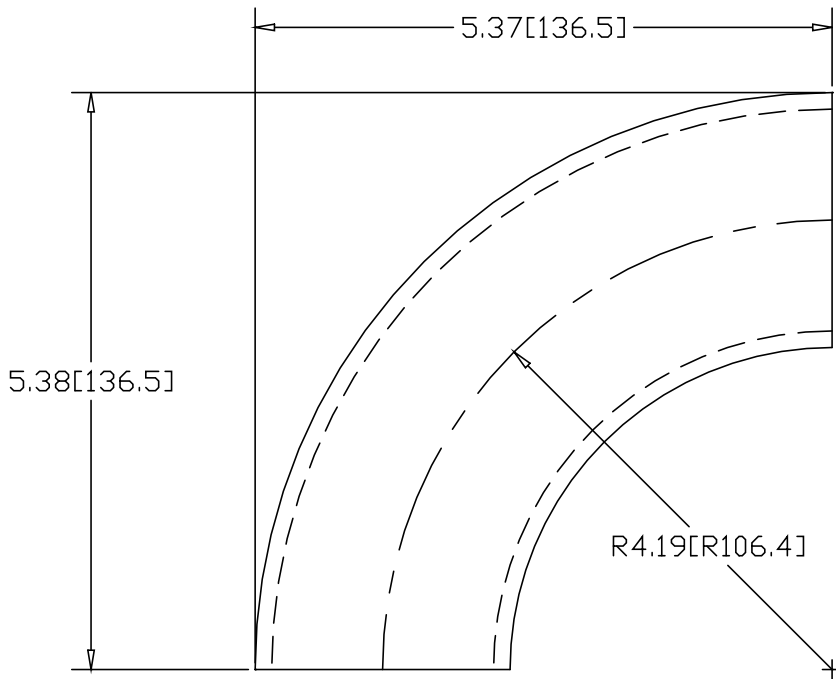



REV
SH
421
DWG NO

REVISIONS			
REV	DESCRIPTION	DATE	APPROVED



INCHES [MILLIMETERS]

ALTERNATE MATERIAL	PART NUMBER
2" SCH 40 (6063) ALUMINUM PIPE	444
2" SCH 40 (304) STAINLESS STEEL PIPE	459-3

PART NAME		2" PIPE SIZE 90° X 3" I.R. ELL		
MATERIAL		2" SCH 40 STEEL PIPE		
DATE	9/14/95	 R & B WAGNER, INC.		
DRAWN BY	RJF			
FINISH	MILL	SIZE	WEIGHT	PART NUMBER
		A	2.0 LBS	421
				REV