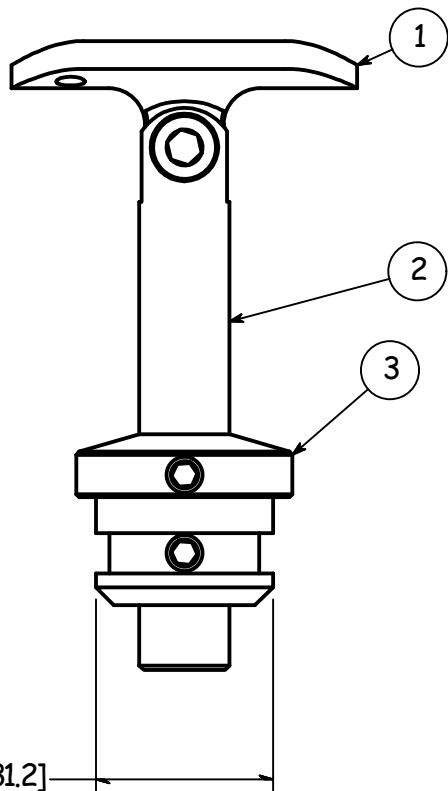
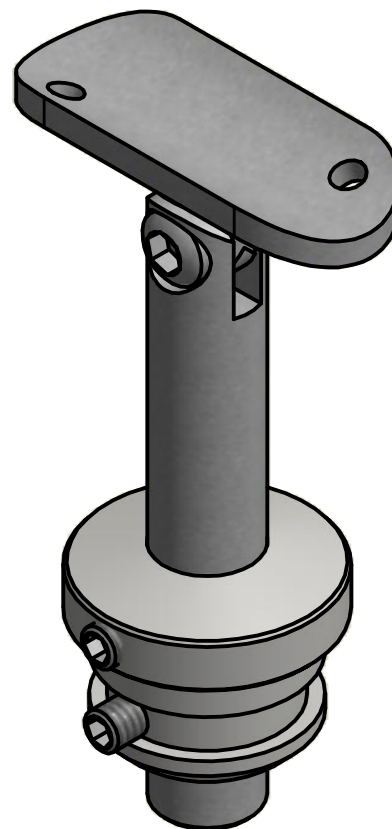
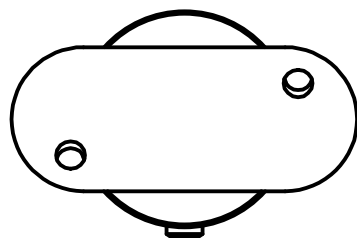





PARTS LIST

ITEM	QTY	PART NUMBER	DESCRIPTION
1	1	SS507	SADDLE, SWIVEL, CAST W/ HOLES
2	1	WR31001TST	POST TOP STEM
3	1	WR31500PTB	Post Top Base, SS, Cast For 1.50 in Dia W/ .120 in Wall For Post Mount Bracket
4	1	SAP3N2520-0025	SCREW SS 1/4-20 X .25 SKT HEAD SET SCREW



TOLERANCE		FINISH:	DESCRIPTION: ASSY, SWIVEL, POST TOP, 1.50 With .120 in Wall W/SADDLE W/OFFSET HOLES		
FRACTION: X/XX..... = ± 1/16" over 4ft. 16 FT RAIL EXAMPLE: 16 FT / 4 FT = 4 * 1/16" = 1/4" 16 FT RAIL..... = ± 1/4"		WEIGHT:	DATE:	CUSTOMER NAME:	
DECIMAL: X.XX..... = ± .030 X.XXX..... = ± .010 UNLESS OTHERWISE NOTED		0.77 lbmass	1/10/2014	 THE WAGNER COMPANIES R & B WAGNER, INC. AND J. G. BRAUN CO.	
A		SIZE:	DRAWN BY:		
			rknepprath	ITEM NUMBER:	REV: -
				WR31500AA	
				SHEET: 1 OF 1	DRAWING NUMBER: WR31500AA

