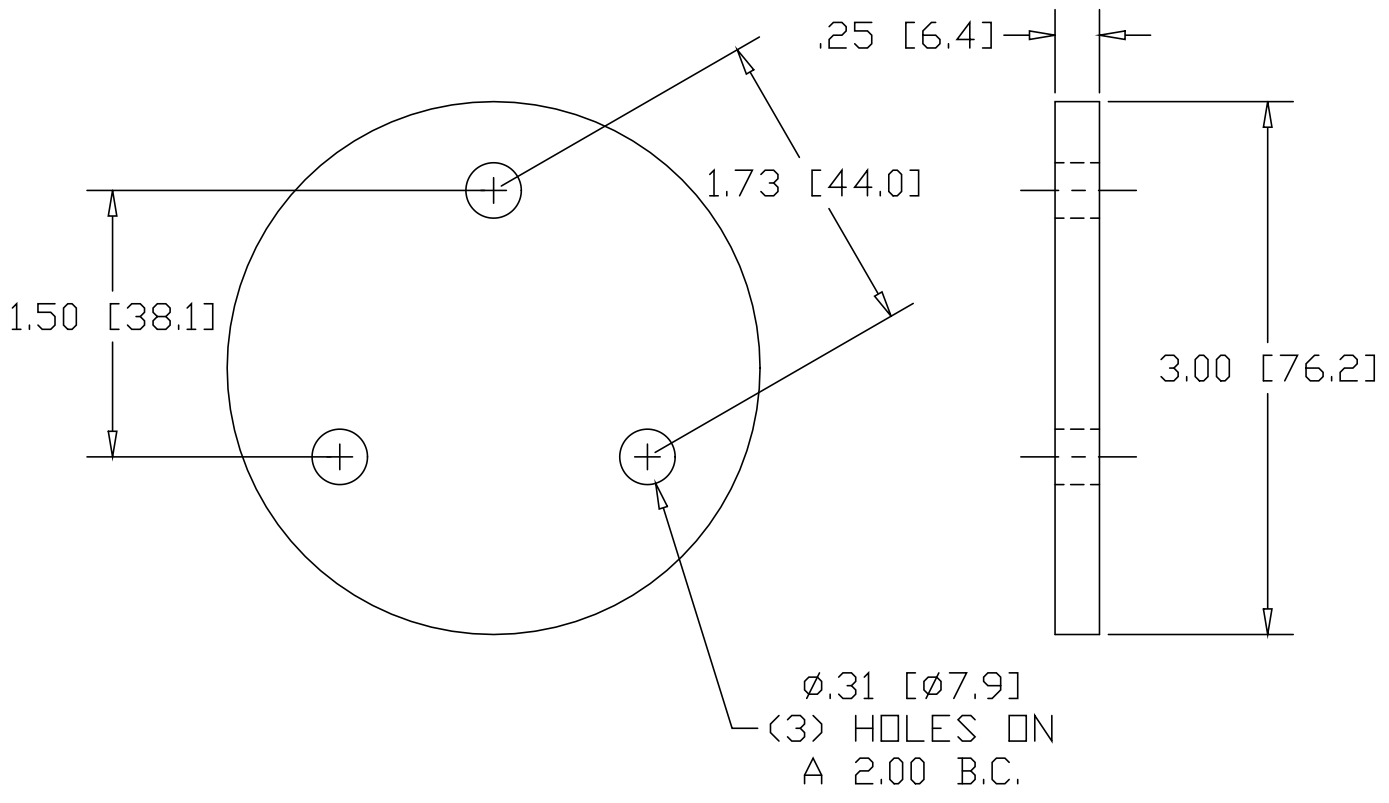



REV  
SH  
D143H  
DWG NO

REVISIONS			
REV	DESCRIPTION	DATE	APPROVED



INCHES[MILLIMETERS]

ALTERNATE MATERIAL	PART NUMBER
.250 (3003) ALUMINUM ASTM B209	D144H
.250 (304) STAINLESS STEEL ASTM A240	D145H

PART NAME		3.00" BASE DISK WITH (3) MTG HOLES	
MATERIAL		.250 HRP&D STEEL ASTM A569	
DATE	11/20/98	 <b>THE WAGNER COMPANIES</b> R & B WAGNER, INC. AND J. G. BRAUN CO.	PART NUMBER
DRAWN BY	RJF		
FINISH	MILL		
SIZE	A	WEIGHT	.50 LBS
		PART NUMBER	D143H
		REV	