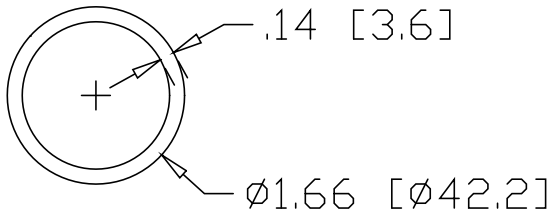
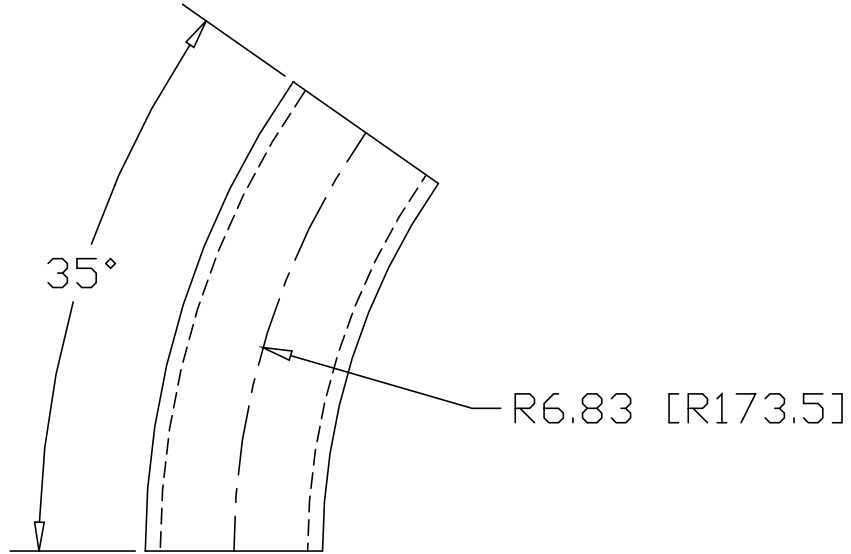



REV  
SH  
7461  
DWG NO

REVISIONS			
REV	DESCRIPTION	DATE	APPROVED



INCHES [MILLIMETERS]

ALTERNATE MATERIAL	PART NUMBER
1-1/4" SCH 40 (6063) ALUMINUM PIPE	7481
1-1/4" SCH 40 (304) STAINLESS STEEL PIPE	7501

PART NAME		1-1/4" PIPE SIZE 35° ELL X 6" I.R.				
MATERIAL		1-1/4" SCH 40 A53 STEEL PIPE				
DATE	7/05/01	 <b>R &amp; B WAGNER, INC.</b>				
DRAWN BY	JAH					
FINISH	MILL					
SIZE	A	WEIGHT	.79 LBS	PART NUMBER	7461	REV