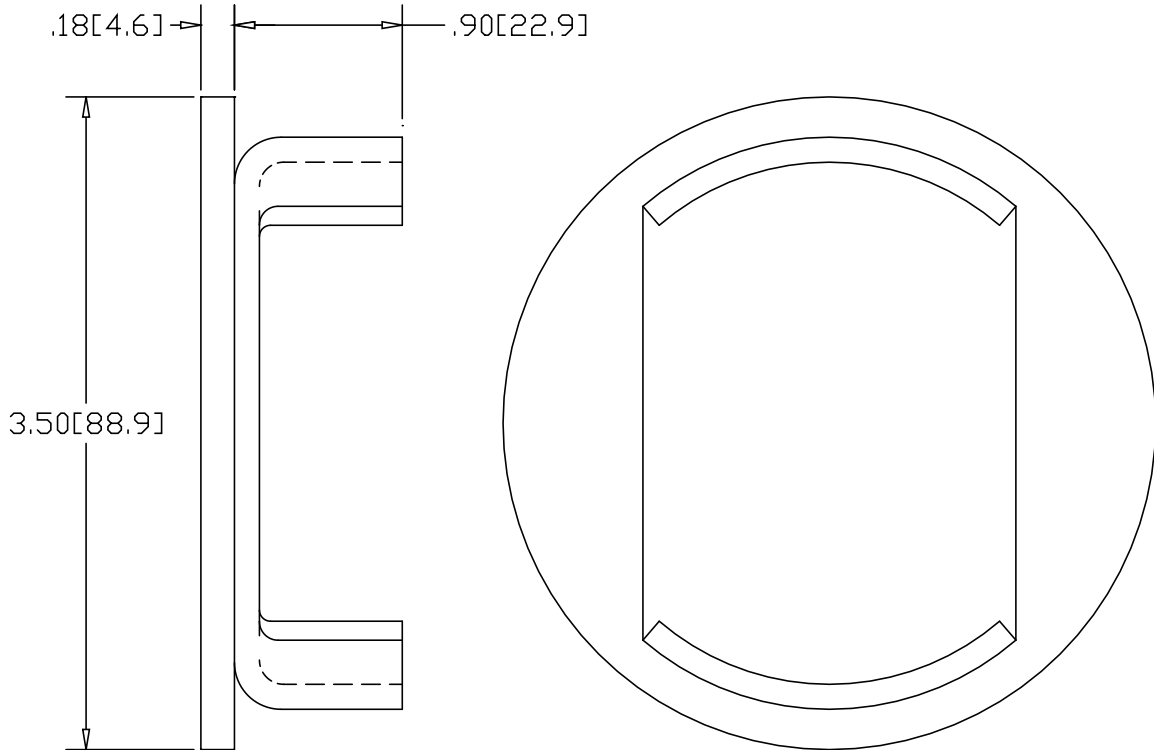



REV
SH
3288-3
DWG NO

REVISIONS			
REV	DESCRIPTION	DATE	APPROVED



INCHES [MILLIMETERS]

ALTERNATE MATERIAL	PART NUMBER
.190 (3003) ALUMINUM ASTM B209	3293-3
7 GA 304 STAINLESS STEEL ASTM A240	3288-3-SS

PART NAME 3" PIPE SIZE TYPE-E DRIVE-ON DISK				
MATERIAL 7 GA. HRP&O STEEL ASTM A569				
DATE 10/11/96	 THE WAGNER COMPANIES R & B WAGNER, INC. AND J. G. BRAUN CO.			
DRAWN BY RJF				
FINISH MILL		SIZE A	WEIGHT .79 LBS	PART NUMBER 3288-3
			REV	