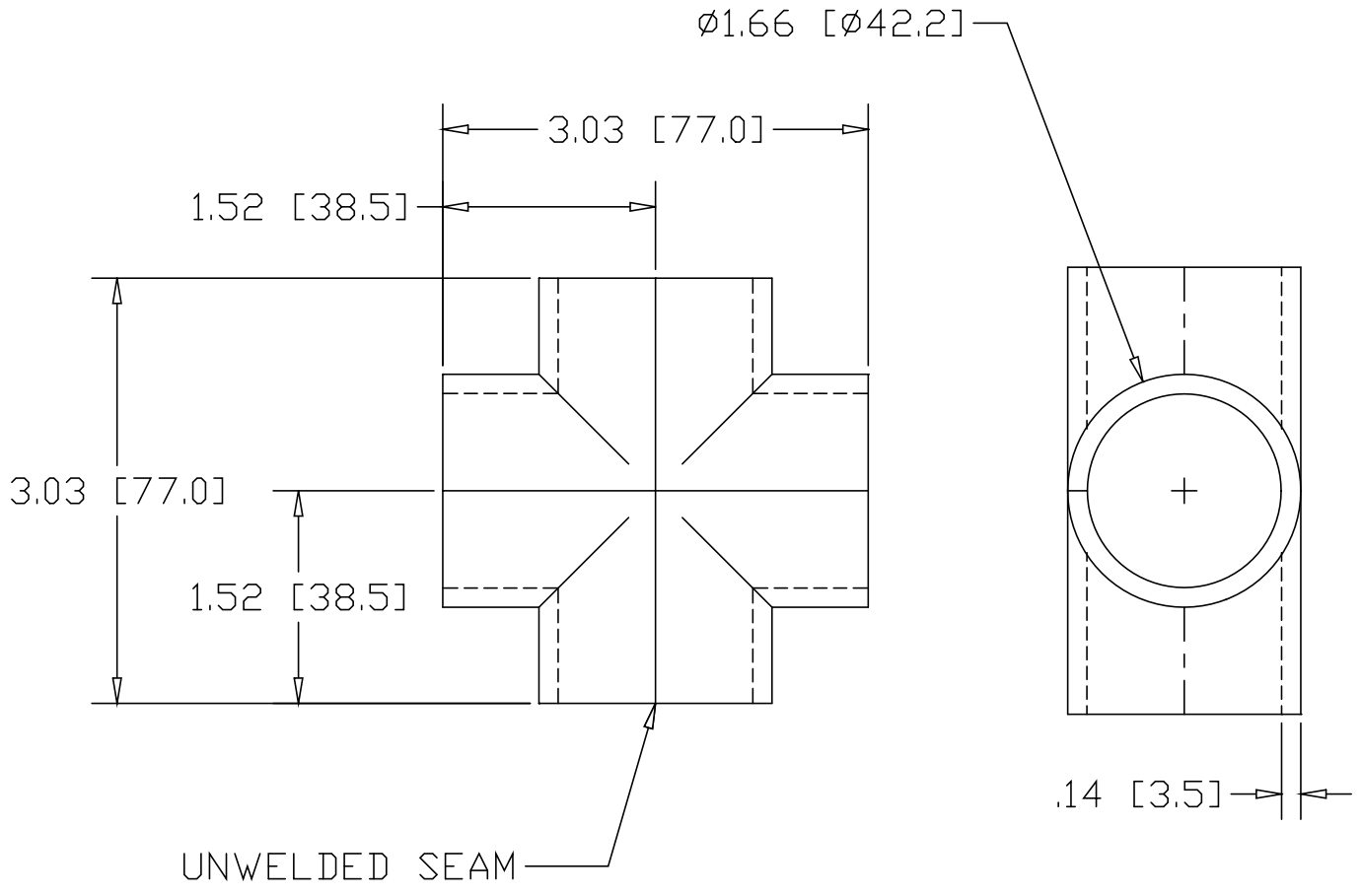



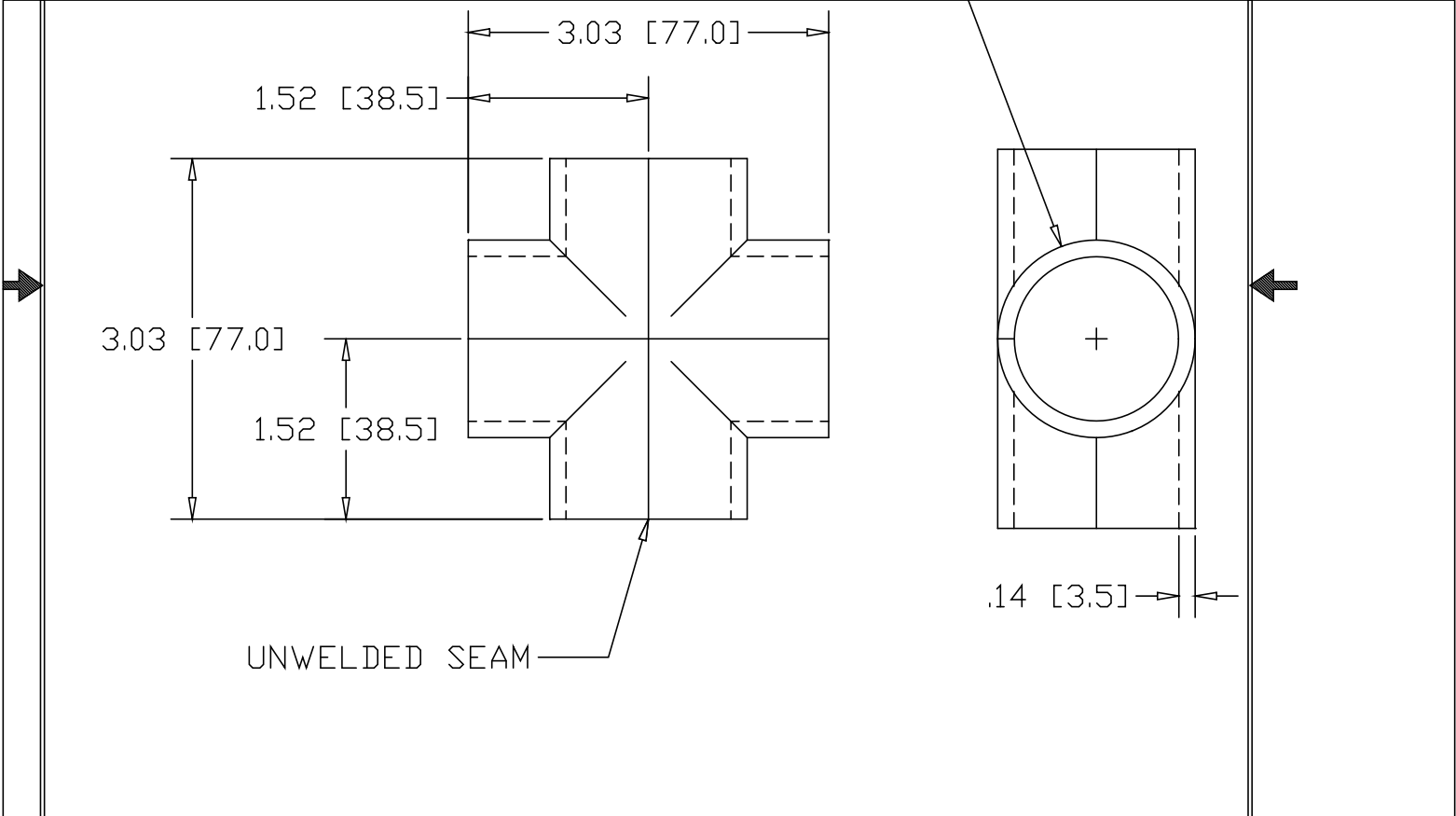
REV
SH
DWG NO 857

REVISIONS			
REV	DESCRIPTION	DATE	APPROVED




INCHES [MILLIMETERS]

PART NAME		1-1/4" STEEL CROSS					
MATERIAL		10 GA. HRP&D STEEL ASTM A569					
DATE	11/16/01		THE WAGNER COMPANIES R & B WAGNER, INC. AND J. G. BRAUN CO.				
DRAWN BY	JAH						
FINISH	MILL						
SIZE	A	WEIGHT	.79 lbs	PART NUMBER	857	REV	



UNWELDED SEAM

INCHES [MILLIMETERS]

PART NAME		1-1/4" STEEL CROSS			
MATERIAL		10 GA. HRP&O STEEL ASTM A569			
DATE	11/16/01	 THE WAGNER COMPANIES R & B WAGNER, INC. AND J. G. BRAUN CO.			
DRAWN BY	JAH				
FINISH	MILL	SIZE	WEIGHT	PART NUMBER	REV
		A	.79 lbs	857	