

REV

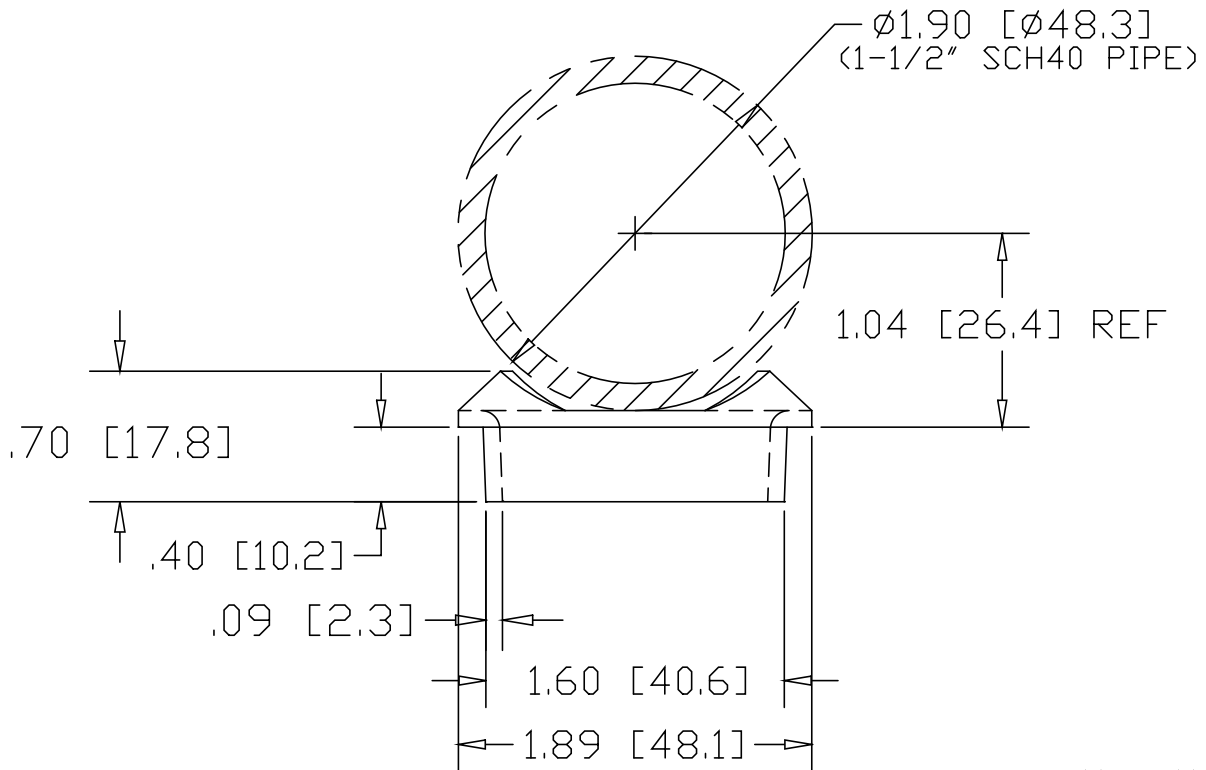
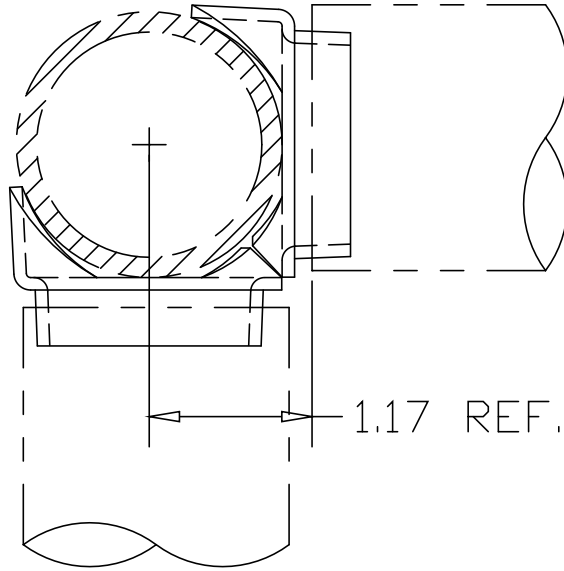
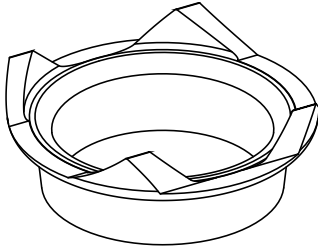
SH

1842

DWG NO


REVISIONS

REV	DESCRIPTION	DATE	APPROVED
-----	-------------	------	----------



INCHES [MILLIMETERS]

ALTERNATE MATERIAL	PART NUMBER
.09 (3003) ALUMINUM ASTM B209	1844

PART NAME 1-1/2" SCH40 PIPE TYPE "C" COPED WELDING CONNECTOR			
MATERIAL 13 GA. (.089) HRP&D STEEL ASTM A569			
DATE 10/29/01	 <b>R &amp; B WAGNER, INC.</b>		
DRAWN BY JAH			
FINISH MILL	SIZE A	WEIGHT .06 LBS	PART NUMBER 1842
			REV