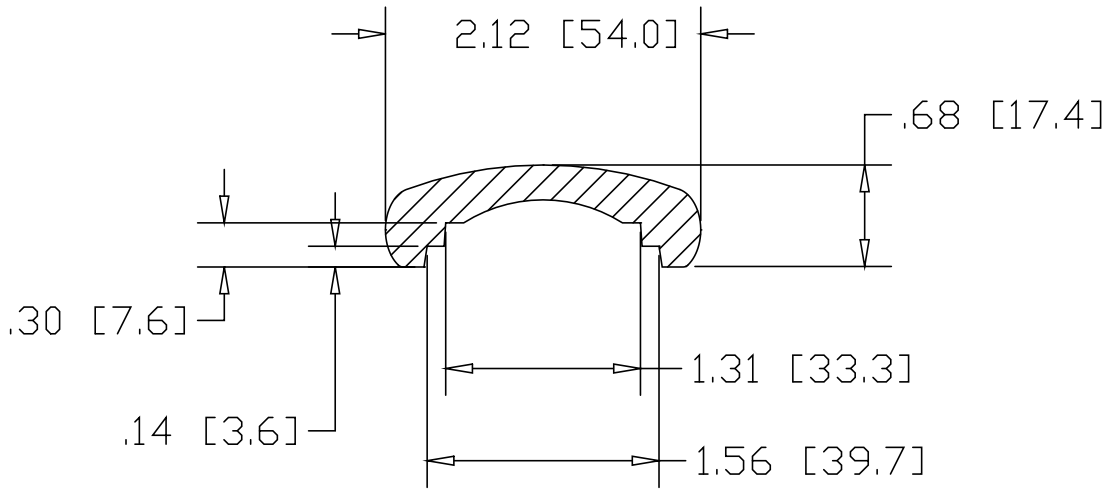
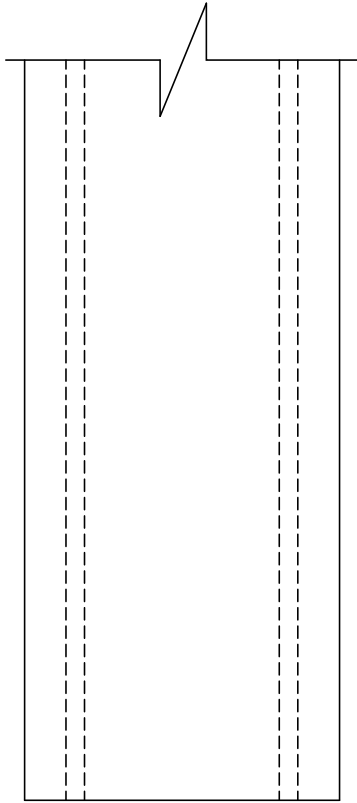



REV
SH
H1256
DWG NO

REVISIONS			
REV	DESCRIPTION	DATE	APPROVED



INCHES MILLIMETERS

PART NAME		STEEL HANDRAIL		
MATERIAL		HOT ROLLED 1010 STEEL		
DATE	04/15/08		THE WAGNER COMPANIES R & B WAGNER, INC. AND J. G. BRAUN CO.	
DRAWN BY	RDC			
FINISH	MILL			
SIZE	A	WEIGHT	PART NUMBER	H1256
			REV	