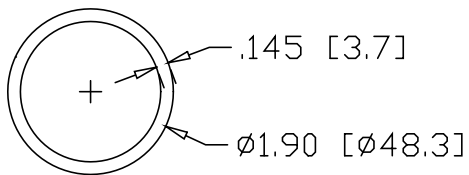
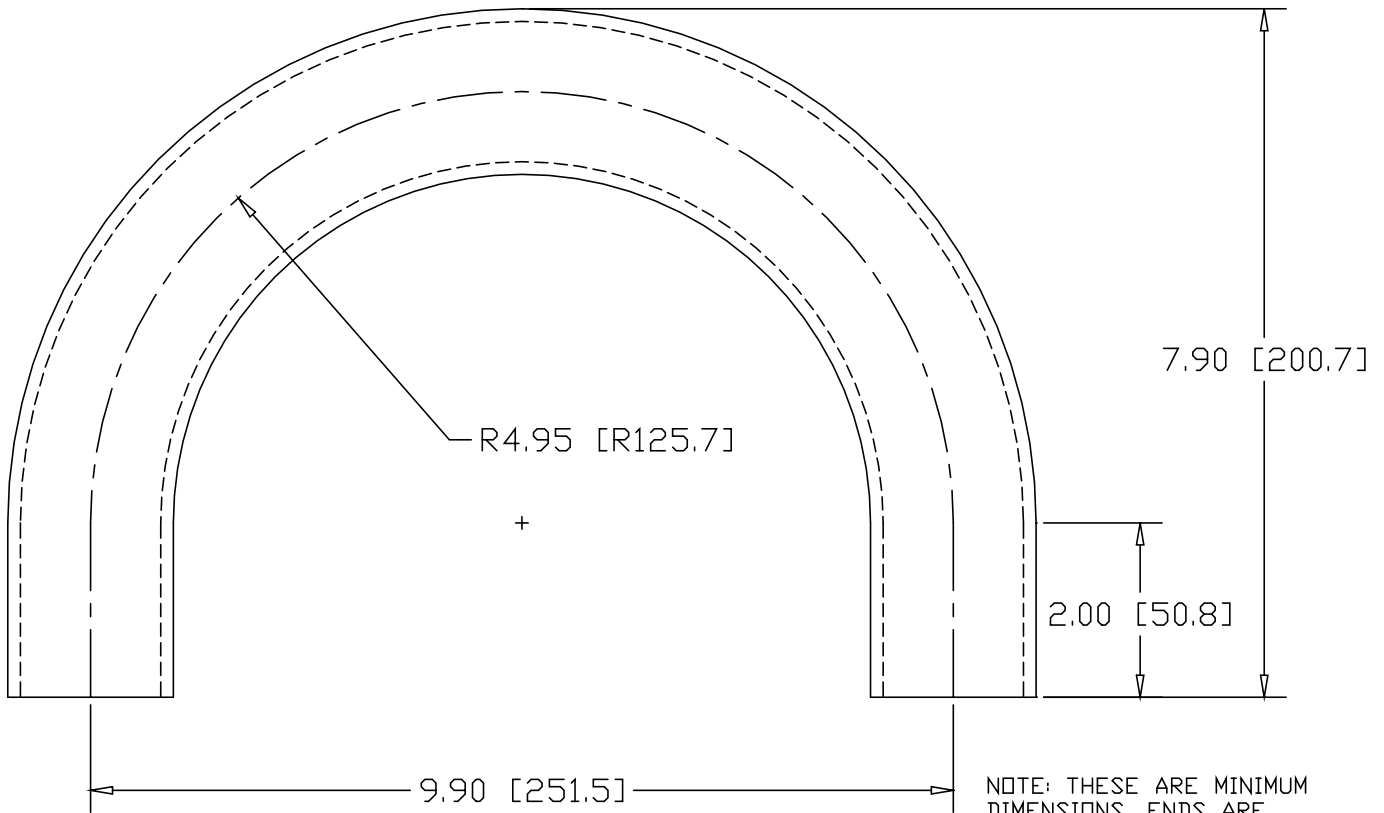


REV
SH
DWG NO 5669B

REVISIONS			
REV	DESCRIPTION	DATE	APPROVED



INCHES [MILLIMETERS]

ALTERNATE MATERIAL	PART NUMBER
1-1/2" SCH 40 (6063) ALUMINUM PIPE	5679B
1-1/2" SCH 40 (304) STAINLESS STEEL PIPE	5689B

PART NAME 1-1/2" PIPE SIZE 180° ELL X 4" I.R. W/ (2) 2" TANGENTS			
MATERIAL 1-1/2" SCH 40 A53 STEEL PIPE			
DATE 4/5/96	WAGNER	R & B WAGNER, INC.	
DRAWN BY RJF			
FINISH MILL			
SIZE A	WEIGHT 4.87 LBS	PART NUMBER 5669B	REV