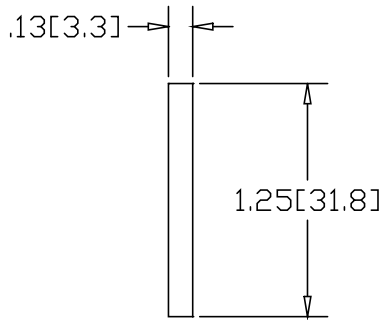
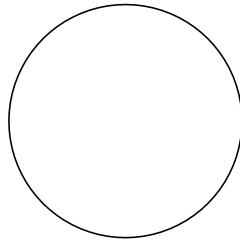
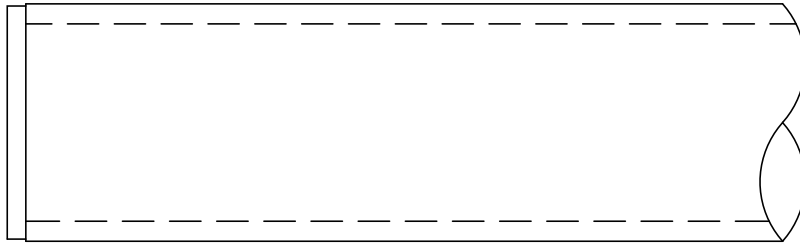
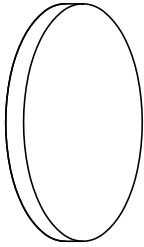



REV
SH
DWG NO D015

REVISIONS			
REV	DESCRIPTION	DATE	APPROVED



INCHES [MILLIMETERS]

ALTERNATE MATERIAL	PART NUMBER
.125 (3003) ALUMINUM ASTM B209	D016
10 GA. (304) STAINLESS STEEL ASTM A240	D017
.125 (260) BRASS ASTM B19,B36	D018

PART NAME 1.25" OD TUBE SIZE TYPE-D WELD-ON DISK							
MATERIAL 10 GA. HRP&D STEEL ASTM A569							
DATE	10/11/96	 THE WAGNER COMPANIES R & B WAGNER, INC. AND J. G. BRAUN CO.					
DRAWN BY	RJF						
FINISH	MILL						
SIZE	A	WEIGHT	.05 LBS	PART NUMBER	D015	REV	