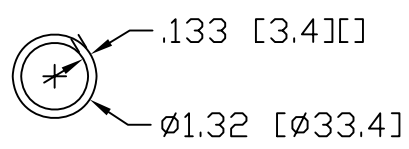
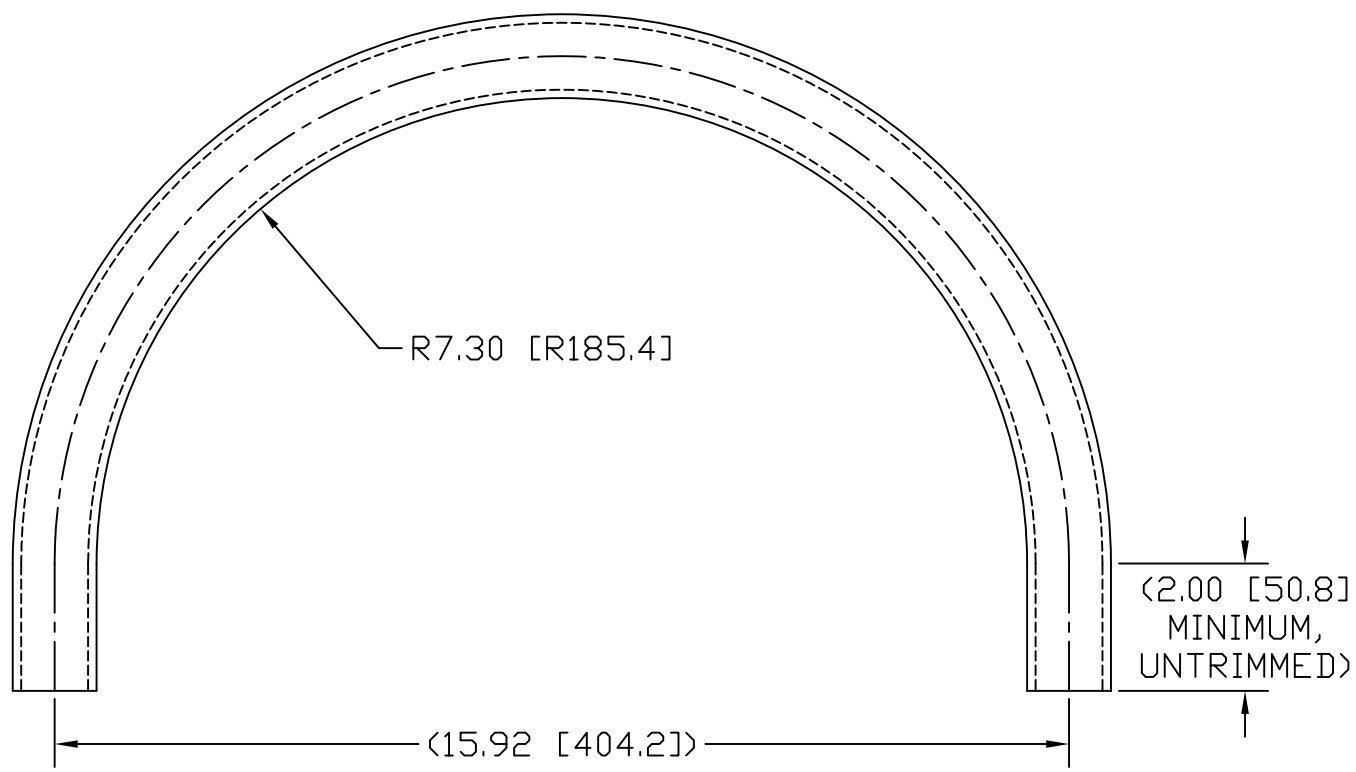



REV  
SH  
DWG NO 8527B

REVISIONS			
REV	DESCRIPTION	DATE	APPROVED



INCHES [MILLIMETERS]

PART NAME 1" PIPE SIZE 180° ELL X 7.30" I.R. W/ (2) 2" TANGENTS				
MATERIAL 1" SCH 40 6063 ALUMINUM PIPE				
DATE 7/16/01		 <b>THE WAGNER COMPANIES</b> R & B WAGNER, INC. AND J. G. BRAUN CO.		
DRAWN BY JAH				
FINISH MILL		SIZE A	WEIGHT 1.36 LBS	PART NUMBER 8527B
				REV