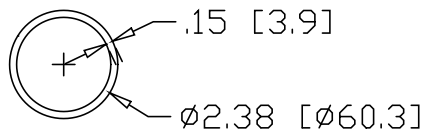
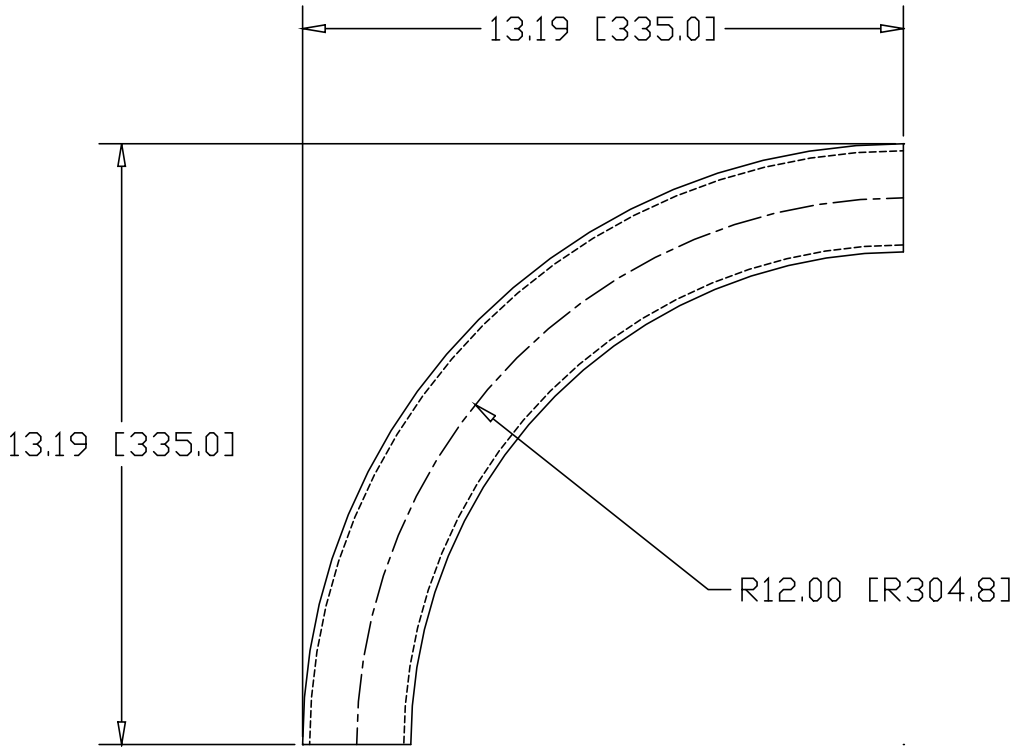



REV  
SH  
9356  
DWG NO

REVISIONS			
REV	DESCRIPTION	DATE	APPROVED



INCHES [MILLIMETERS]

ALTERNATE MATERIAL	PART NUMBER
2" SCH 40 (6063) ALUMINUM PIPE	9370
2" SCH 40 (304) STAINLESS STEEL PIPE	9384

PART NAME		2" PIPE SIZE 90° ELL X 10.81" I.R.				
MATERIAL		2" SCH 40 A53 STEEL PIPE				
DATE	8/16/01	 <b>R &amp; B WAGNER, INC.</b>				
DRAWN BY	JAH					
FINISH	MILL					
SIZE	A	WEIGHT	5.76 LBS	PART NUMBER	9356	REV