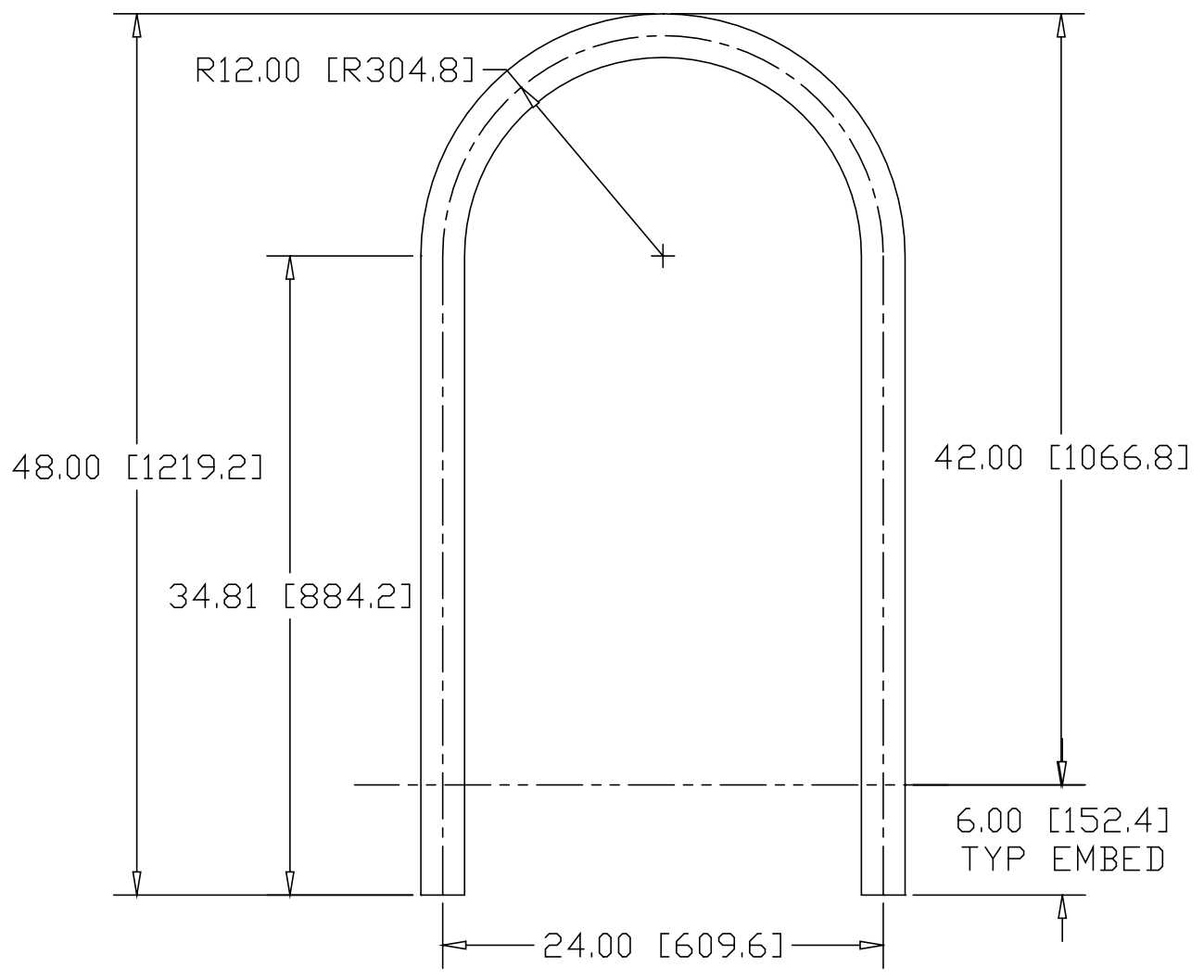


REV
A
SH
SR1M
DWG NO

REVISIONS			
REV	DESCRIPTION	DATE	APPROVED
A	HT WAS 36.00, EMBED WAS 10.00	12/18/06	RJF



DL = 107.32"

INCHES [MILLIMETERS]

ALTERNATE MATERIAL	PART NUMBER
2" SCH 40 GALVANIZED STEEL PIPE	SR1G
2" SCH 40 STAINLESS STEEL PIPE W/#4 SATIN	SR1SS

PART NAME					2" SCH 40 SINGLE LOOP BIKE RACK				
MATERIAL					2" SCH 40 (2.38" O.D.) A53 STEEL PIPE				
DATE					12/23/97				
DRAWN BY					RJF				
FINISH					MILL				
SIZE		WEIGHT		PART NUMBER		REV			
A		32.6 LBS		SR1M		A			



THE WAGNER COMPANIES
R & B WAGNER, INC. AND J. G. BRAUN CO.