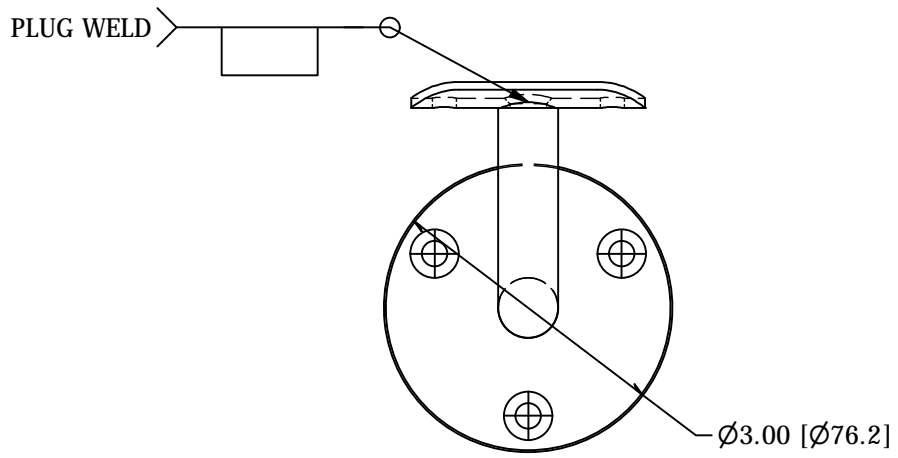
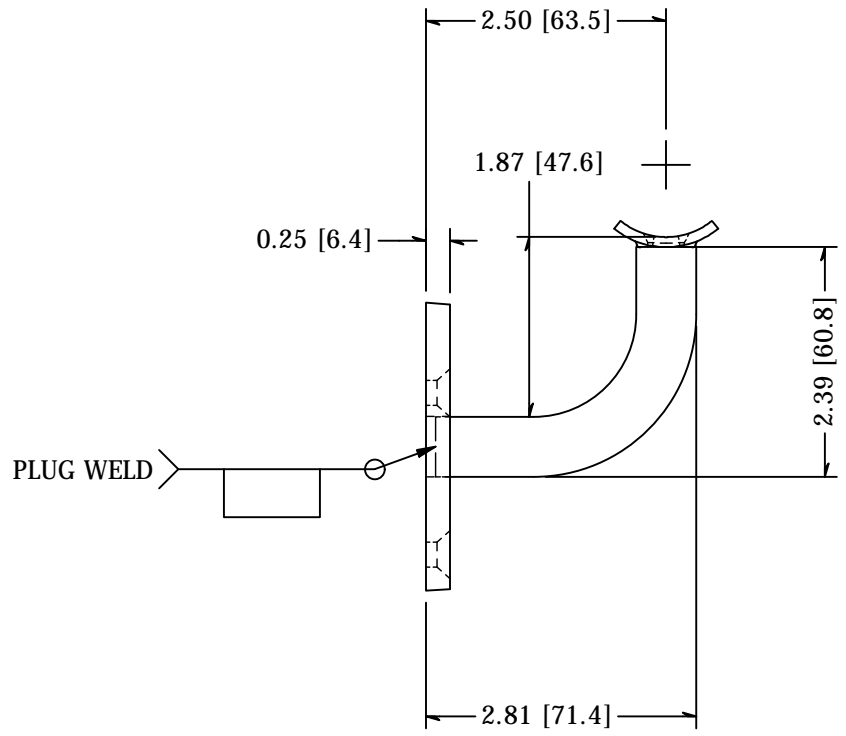


PARTS LIST			
ITEM	QTY	PART NUMBER	DESCRIPTION
1	1	RB150D.316.4	Disk, Stainless Steel, 3.00 Inch Diameter With .63 Inch Center Hole, With Three Countersunk Holes, Brushed Satin Finish, Type 3
2	1	RB15025B.316.4	Bar Bend, Stainless Steel, Round, 5/8 Inch, 2.50 Inch
3	1	S103.316.4	BRACKET SADDLE, STAINLESS STEEL, #4 SATIN FINISH, TYPE 316



TOLERANCE  UNLESS OTHERWISE NOTED, TOLERANCES TO CONFORM TO ES.03.011	MATERIAL: 316 Stainless	DESCRIPTION: Handrail Bracket, Stainless Steel, 5/8 Inch Diameter Bar, 2-1/2 Inch From Wall, and Center of Handrail, With Three Countersunk	
	FINISH:	DATE: 11/8/2022	REV: -
	WEIGHT: 0.88 lbmass	DRAWN BY: W. Purgill	
		ITEM NUMBER: RB15025.316.4	


**WAGNER** 10600 W Brown Deer Rd  
 Milwaukee, WI 53224  
**COLLABORATIVE METALWORKS** <http://www.wagnercompanies.com/>