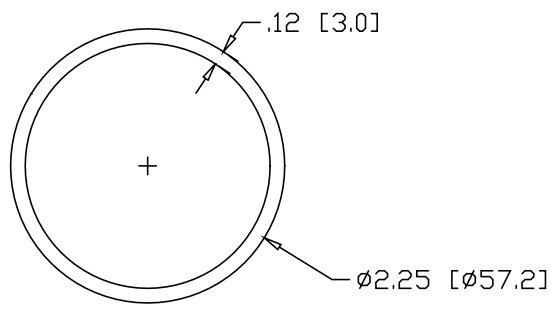
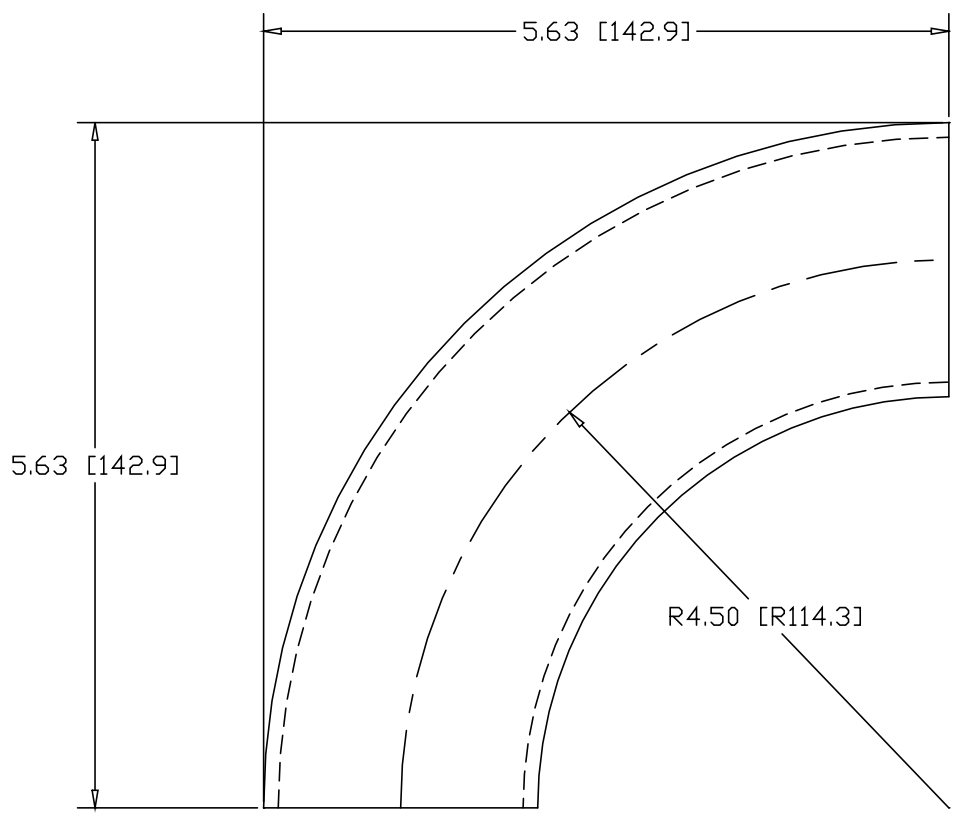



REV
SH
2109
DWG NO

REVISIONS			
REV	DESCRIPTION	DATE	APPROVED



INCHES [MILLIMETERS]

ALTERNATE MATERIAL	PART NUMBER
2-1/4" O.D. X .125W (6061) ALUMINUM TUBE	2129

PART NAME		2-1/4" O.D. TUBE 90° ELL X 4.50" CLR					
MATERIAL		2-1/4" O.D. X .120W STEEL TUBE					
DATE	6/03/08	 R & B WAGNER, INC.					
DRAWN BY	RDC						
FINISH	MILL						
SIZE	A	WEIGHT	1.61 LBS	PART NUMBER	2109	REV	