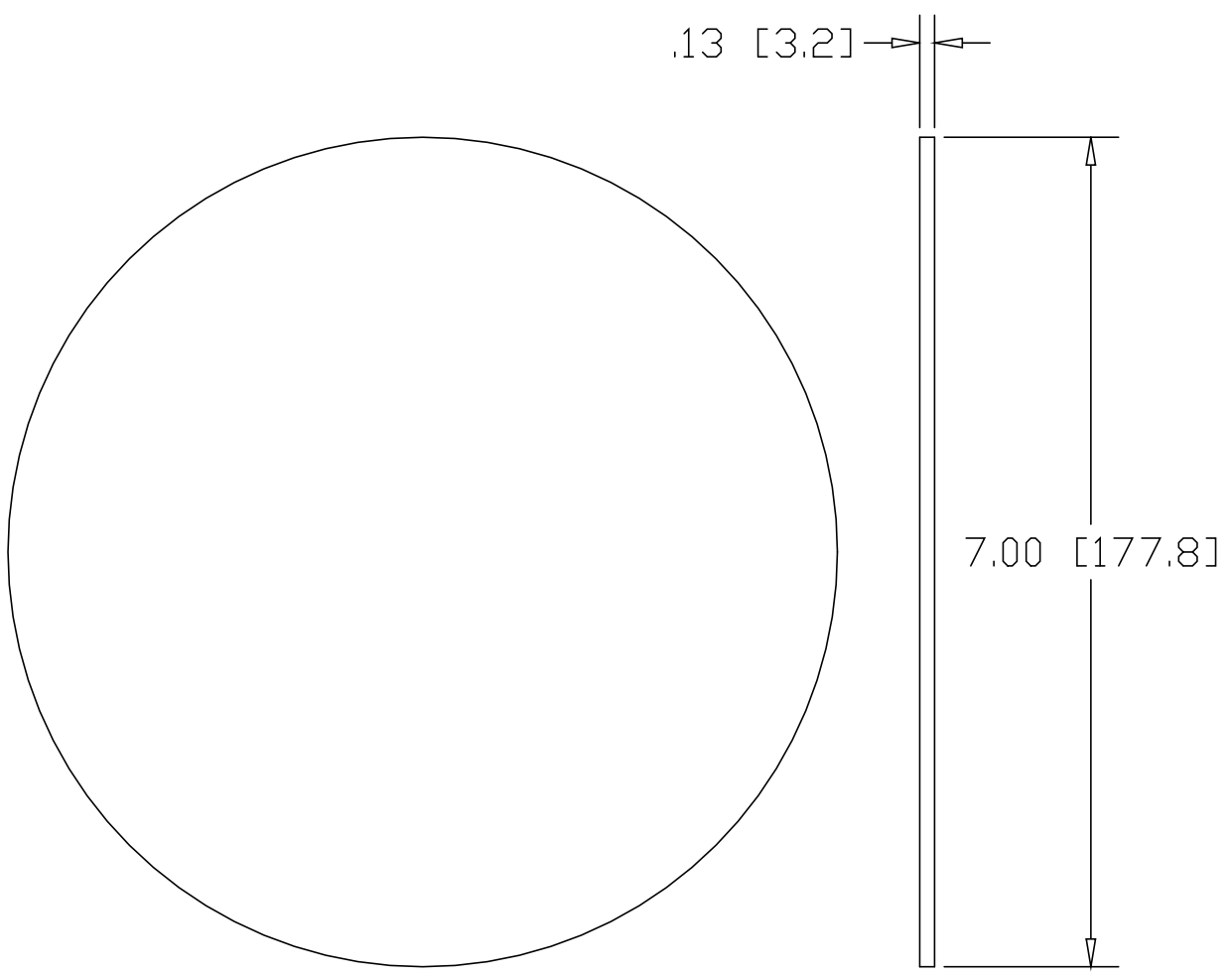


REV
SH
DWG NO


D360

REVISIONS			
REV	DESCRIPTION	DATE	APPROVED



INCHES [MILLIMETERS]

ALTERNATE MATERIAL	PART NUMBER
.125 (3003) ALUMINUM ASTM B209	D361
10 GA. (304) STAINLESS STEEL ASTM A240	D362
.125 (260) BRASS ASTM B19,B36	D363

PART NAME 7.00" OD TUBE SIZE TYPE-D WELD-ON DISK			
MATERIAL 10 GA. HRP&D STEEL ASTM A569			
DATE 11/20/98		THE WAGNER COMPANIES R & B WAGNER, INC. AND J. G. BRAUN CO.	
DRAWN BY RJF			
FINISH MILL			
SIZE A	WEIGHT 1.38 LBS	PART NUMBER D360	REV