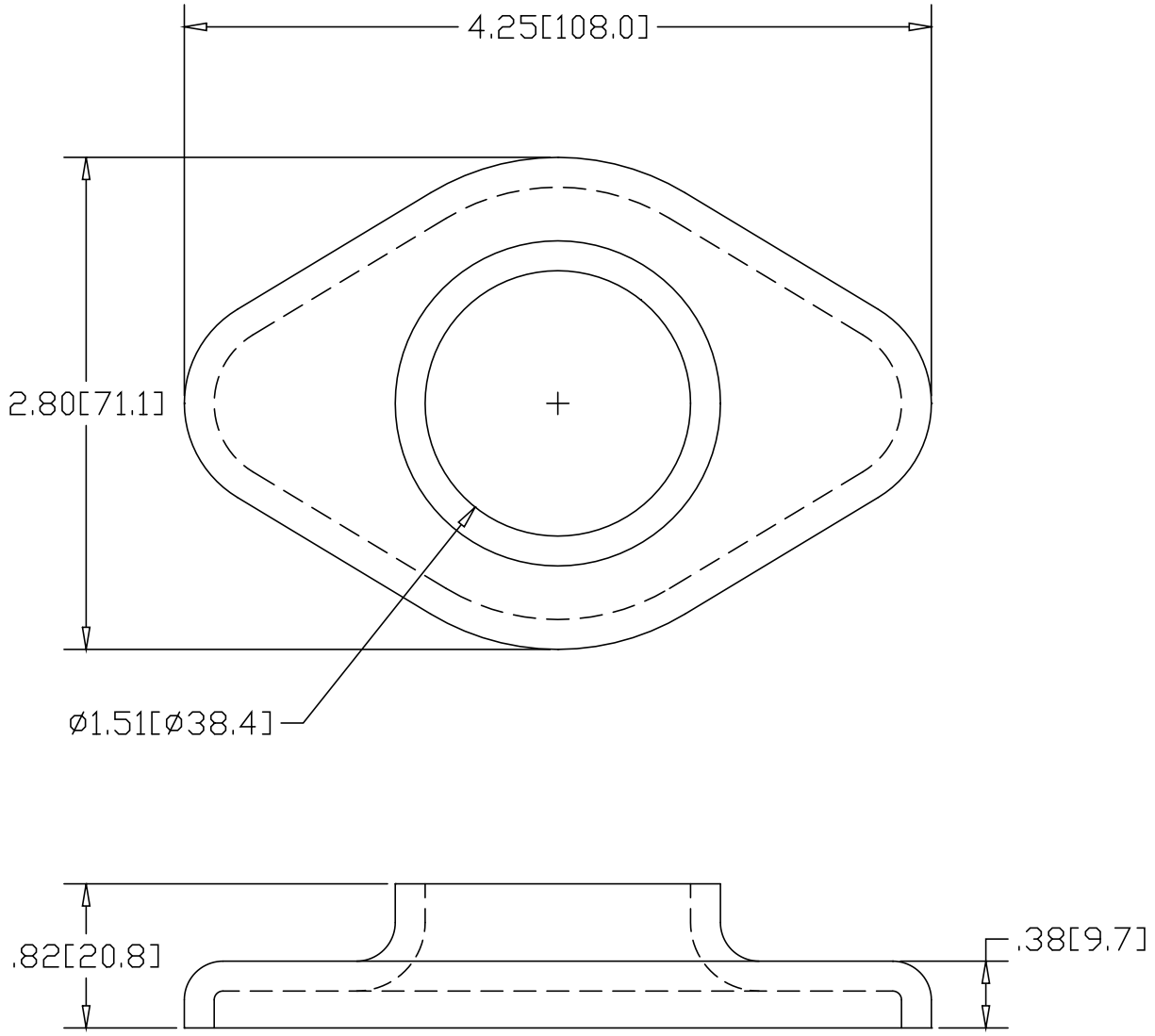



REV
SH
DWG NO 4915T

REVISIONS			
REV	DESCRIPTION	DATE	APPROVED



INCHES [MILLIMETERS]

ALTERNATE MATERIAL	PART NUMBER
.190 (3003) ALUMINUM ASTM B209	4945T
7 GA. (304) STAINLESS STEEL ASTM A240	4975T

PART NAME		1-1/2" O.D. TUBE TAPERED HEAVY BASE FLANGE			
MATERIAL		7 GA. HRP&D STEEL ASTM A569			
DATE	5/22/95	 R & B WAGNER, INC.			
DRAWN BY	RJF				
FINISH	MILL	SIZE	WEIGHT	PART NUMBER	REV
		A	.41 LBS	4915T	