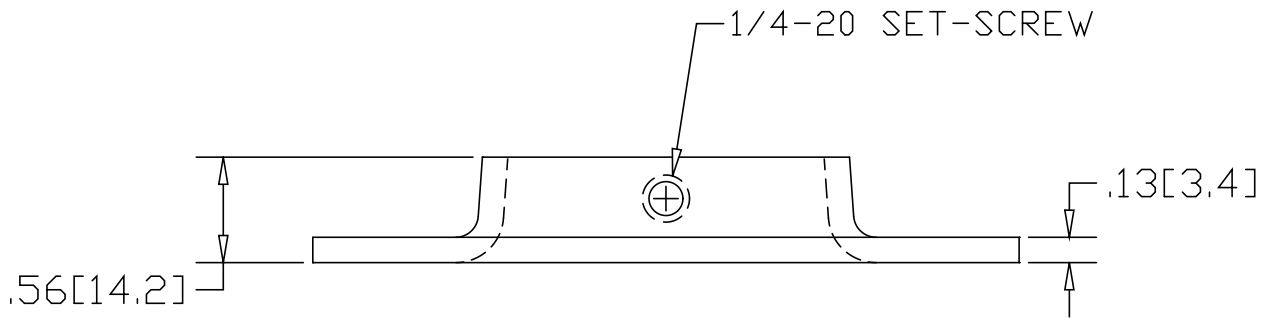
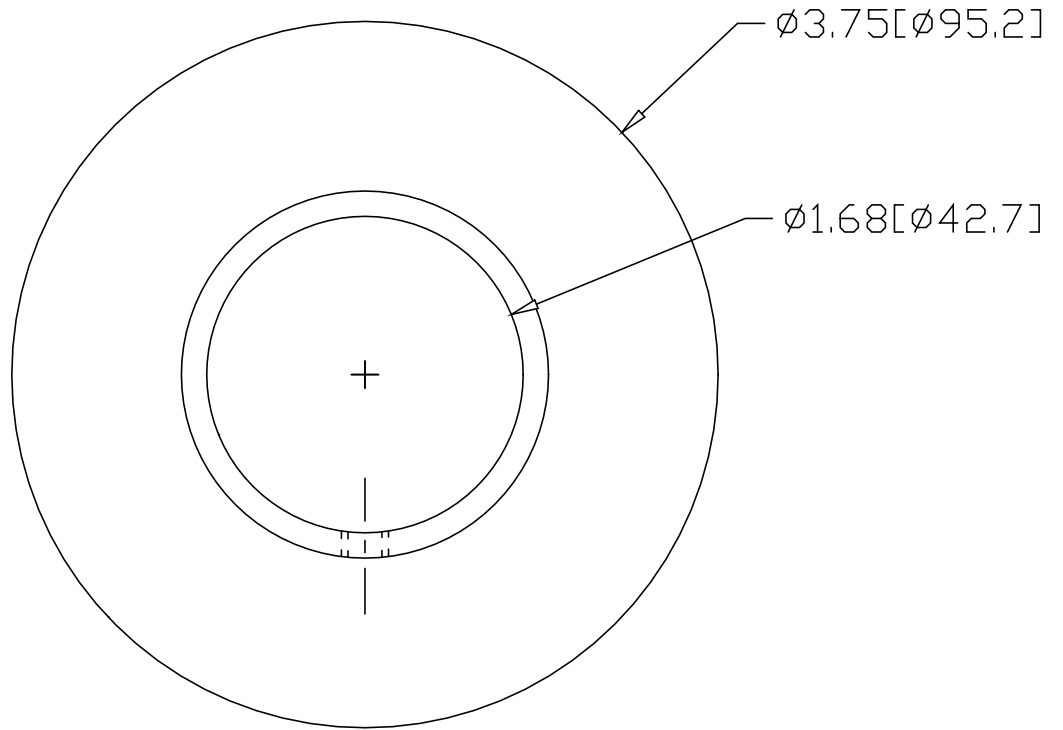



REV
SH
629
DWG NO

REVISIONS			
REV	DESCRIPTION	DATE	APPROVED



INCHES [MILLIMETERS]

ALTERNATE MATERIAL	PART NUMBER
.125 (3003) ALUMINUM ASTM B209	669
10 GA. (304) STAINLESS STEEL ASTM A240	709

PART NAME 1-1/4" FLAT BASE PIPE FLANGE WITH SET-SCREW			
MATERIAL 10 GA. HRP&D STEEL ASTM A-569			
DATE 1/7/99		R & B WAGNER, INC.	
DRAWN BY RJF		FINISH MILL	SIZE A
		PART NUMBER 629	REV