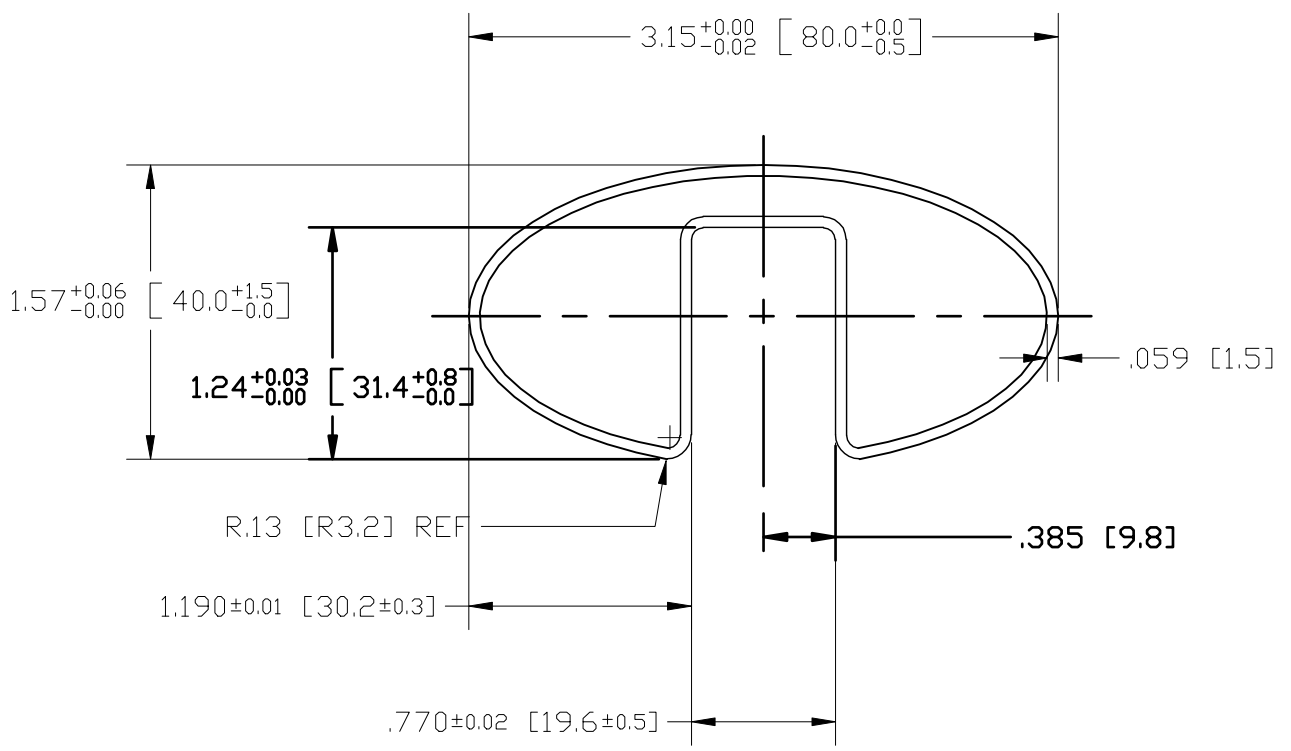



REV I
SH
DWG NO GR3315.4L

REVISIONS			
REV	DESCRIPTION	DATE	APPROVED
1	RELEASED	06/25/10	PWH



INCHES [MILLIMETERS]

PART NAME		3.15 X 1.58 OVAL CAPRAIL	
MATERIAL		304 STAINLESS STEEL	
DATE	06/25/10	 THE WAGNER COMPANIES R & B WAGNER, INC. AND J. G. BRAUN CO.	
DRAWN BY	PWH		
FINISH	LONGITUDINAL #4 SATIN	SIZE	A
		WEIGHT	
		PART NUMBER	GR3315.4L
		REV	1