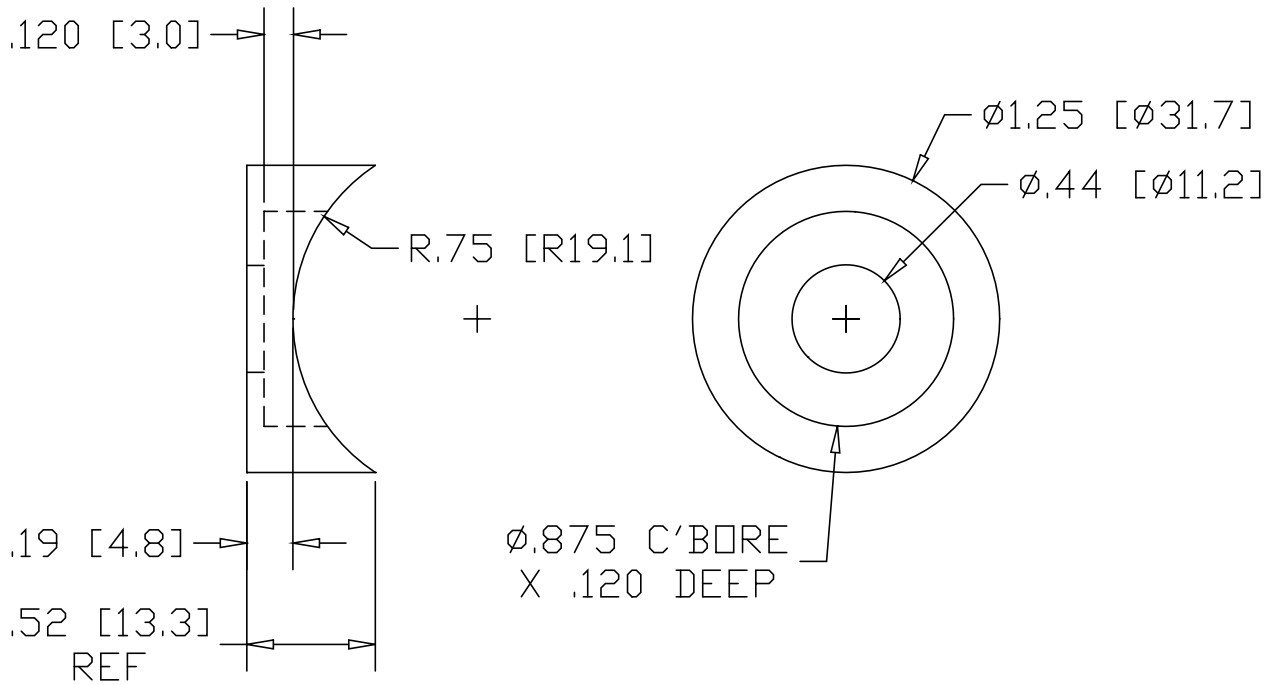



REV
A
SH
AS1507
DWG NO

REVISIONS			
REV	DESCRIPTION	DATE	APPROVED
A	ADDED C'BORE	09/29/06	RJF



* BREAK SHARP CORNERS .015 TYPICAL

INCHES [MILLIMETERS]

PART NAME		HANDRAIL MOUNT ADAPTER "A" FOR 1.50" OD POST				
MATERIAL		Ø1.25" (304) STAINLESS STEEL				
DATE	5/5/99		THE WAGNER COMPANIES R & B WAGNER, INC. AND J. G. BRAUN CO.			
DRAWN BY	RJF					
FINISH	#4 SATIN					
SIZE	A	WEIGHT	PART NUMBER	AS1507	REV	A