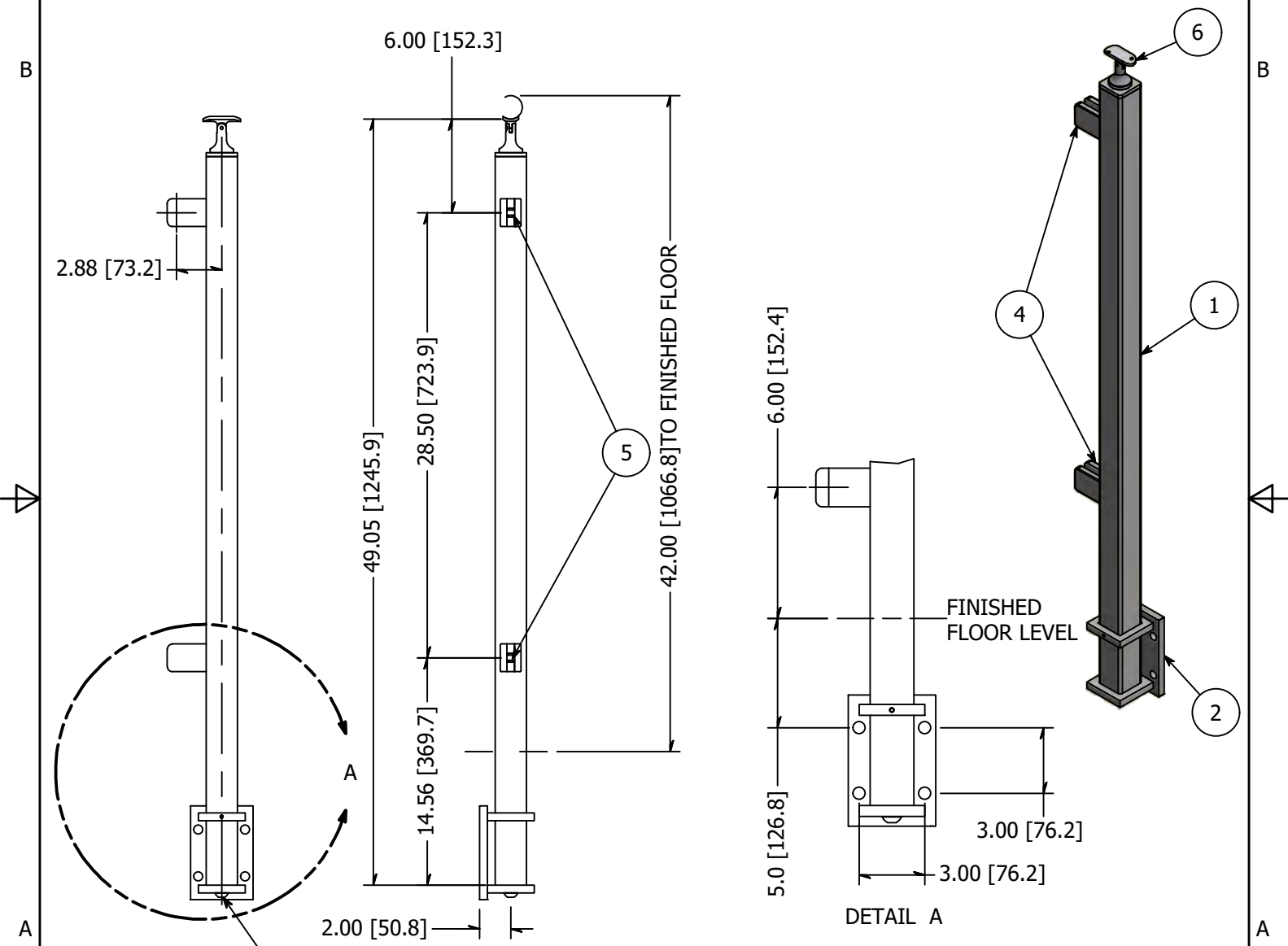


PARTS LIST

ITEM	QTY	PART NUMBER	DESCRIPTION
1	1	LG32242EFMA	End Post, Stainless Steel, 2.00 Inch Square x 0.12 Inch Wall, 42 High, Brushed Satin Finish, Grade 316, Fascia Mount, Post Assm
2	1	LG322FM	Flange, Stainless Steel, Fascia Mount For 2 Inch Square Post, Satin Brushed Finish, Type 316
3	1	BAH3N1213-0200	SCREW SS 1/2-13 X 2.00 SOCKET BUTTON HEAD CAP SCREW CW
4	2	GR310F.4	Clip, Stainless Steel, Panel Mounting, Flat Base, Square Type, #4 Satin Finish, Type 316
5	2	SHC3NM08C-0020	Screw, Stainless Steel, M8-1.25 x 20mm, Socket Head Cap Screw, A4-70
6	1	SS507	SADDLE, SWIVEL, CAST W/ HOLES



REVISION HISTORY			
REV	DESCRIPTION	DATE	APPROVED
2	UPDATED DRAWING. POST WALL THICKNESS WAS 0.25" NOW 0.12". CORNER RADII WAS .375" NOW .188". BAH3N1213-0200 WAS BAH3N3816-0200	3/13/2019	ATM

TOLERANCE X.X.....= ± .060 X.XX.....= ± .030 X.XXX.....= ± .010 XX°.....= ± 1° UNLESS OTHERWISE NOTED	MATERIAL: 316 Stainless	DESCRIPTION: End Post, Stainless Steel, 2.00 Inch Square x 0.12 Inch Wall, 42 High, Brushed Satin Finish, Grade 316, Fascia Mount, Square	
	FINISH: Satin Brushed	DATE: 8/16/2019	REV: 2
	WEIGHT: N/A	DRAWN BY: T. Kolbach	
	ITEM NUMBER: LG32242AEFM.4		

