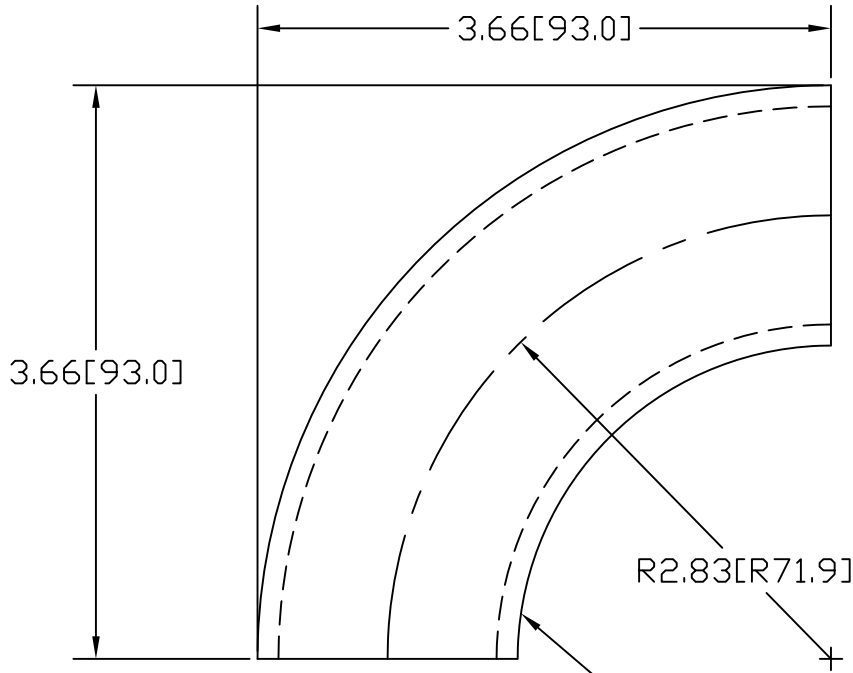
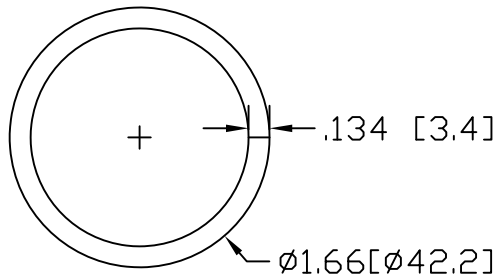


REV A
SH
268
DWG NO

REVISIONS			
REV	DESCRIPTION	DATE	APPROVED
A	.134 WAS .14, ASTM A1011 WAS A569	03/30/17	RJF




NOTE: UNWELDED SEAM
ALONG INSIDE RADIUS
(STEEL ELLS ONLY)



INCHES [MILLIMETERS]

ALTERNATE MATERIAL	PART NUMBER
1-1/4" SCH 40 (6063) ALUMINUM PIPE	292
1-1/4" SCH 40 (304) STAINLESS STEEL PIPE	317

PART NAME		1-1/4" PIPE SIZE 90° ELL X 2" I.R.		
MATERIAL		10 GA. HRP&D STEEL ASTM A1011		
DATE	8/24/95	 R & B WAGNER, INC.		
DRAWN BY	RJF			
FINISH	MILL	SIZE	WEIGHT	PART NUMBER
		A	.88 LBS	268
				REV A