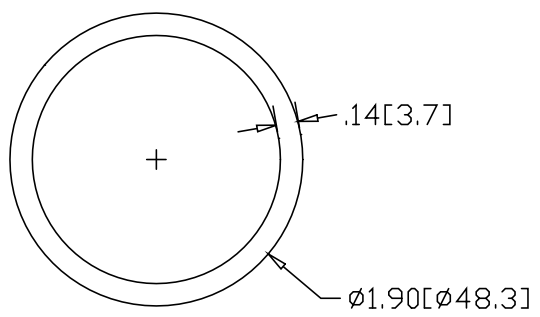
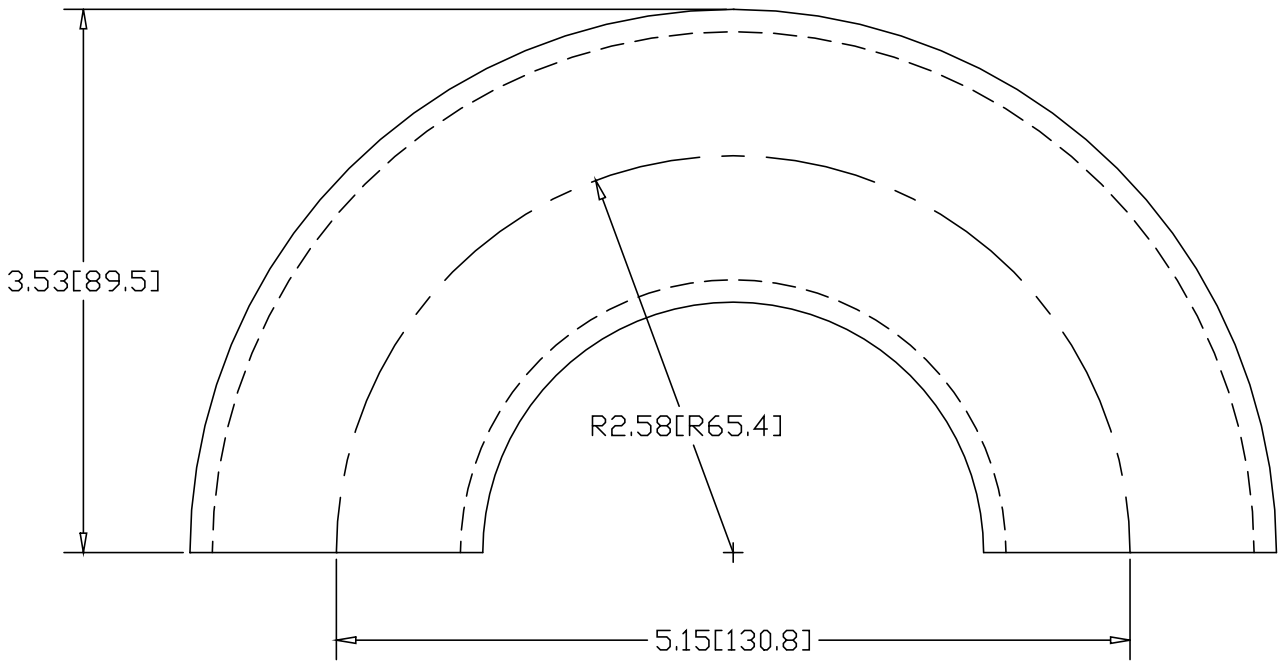



REV
SH
DWG NO 4668

REVISIONS			
REV	DESCRIPTION	DATE	APPROVED



INCHES [MILLIMETERS]

ALTERNATE MATERIAL	PART NUMBER
1-1/2" SCH 40 (6063) ALUMINUM PIPE	4678
1-1/2" SCH 40 (304) STAINLESS STEEL PIPE	4690

PART NAME		1-1/2" PIPE SIZE 180° ELL X 1-5/8" I.R.					
MATERIAL		1-1/2" SCH 40 STEEL PIPE					
DATE	8/18/95	 R & B WAGNER, INC.					
DRAWN BY	RJF						
FINISH	MILL						
SIZE	A	WEIGHT	1.62 LBS	PART NUMBER	4668	REV	