

2

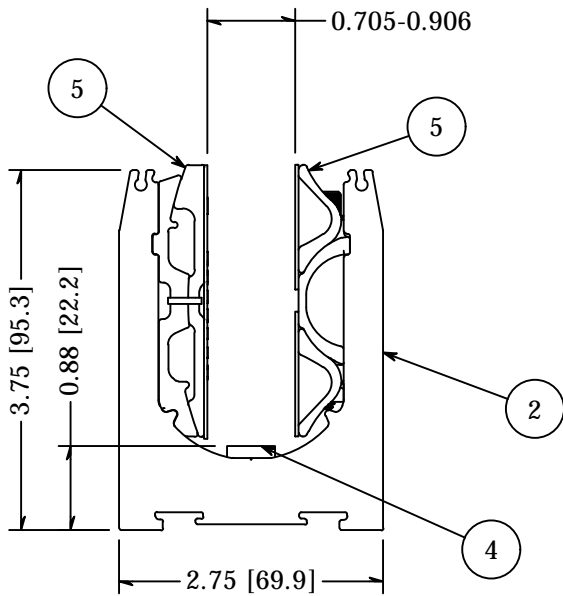


1

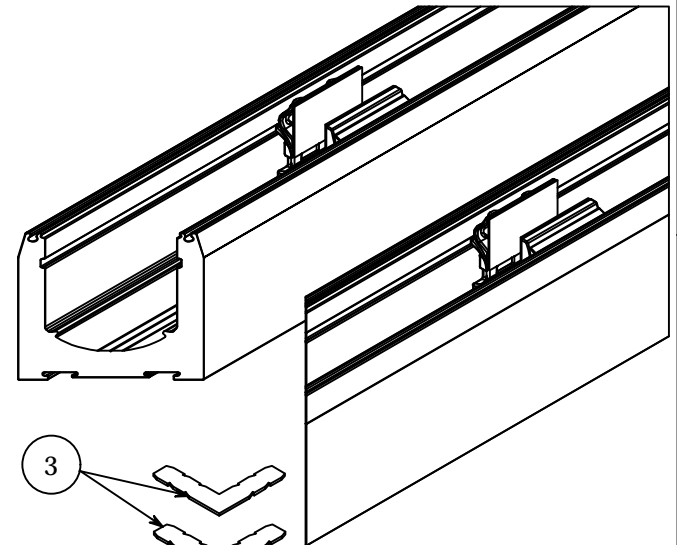
PARTS LIST

| ITEM | QTY | PART NUMBER | DESCRIPTION |
|------|-----|-----------------|--|
| 1 | 1 | GR2LL5075HCBMKL | Shoe Moulding, Aluminum, Level lock Plus, For .5 to .75 Glass, 2.75 Wide, 3.75 High, Mitered Corner Left, 5ft length, Hole Counterbored, 12 in on Center, Mill Finish |
| 2 | 1 | GR2LL5075HCBMKR | Shoe Moulding, Aluminum, Level lock Plus, For .5 to .75 Glass, 2.75 Wide, 3.75 High, Mitered Corner Right, 5ft length, Hole Counterbored, 12 in on Center, Mill Finish |
| 3 | 1 | GR2LLAT090 | Level Lock Plus, Shoe Alignment Tabs, 90 Degree Corner, Pack of 4, Aluminum |
| 4 | 1 | GR9LL1250 | Shoe Isolator, Level Lock +, HDPE, 0.125 x 0.50 x 2.00, 10 pack |
| 5 | 1 | LL3421 | Level Lock Plus, Mechanism 10 Pack, for 3/4" Nominal Glass, .705-.906" |

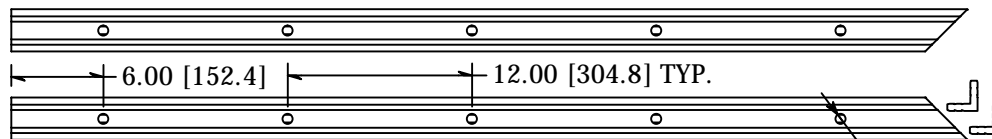
B



B



A



A

(10) Ø0.63 THRU
□ Ø1.13

| | | | | |
|---|-------------------|---------|--|--------------------------|
| TOLERANCE X.XX +/- 0.01 X.XXX +/- 0.005 Angle +/- 0.5 Unless Otherwise Specified | CUT LENGTH: | FINISH: | DESCRIPTION: Level Lock Plus, Sales kit, for 5/8", 15mm - 17mm glass, 5ft Mitered Corner shoe set, W/ Mechanisms | |
| | DEVELOPED LENGTH: | WEIGHT: | MATERIAL: | MATERIAL DESC: |
| | 5 FT | N/A | DATE: 4/8/2021 | REV: 1 |
| | TOOL NUMBER: | | DRAWN BY: A. Seeboth | PART NUMBER: LL3421KITMK |

WAGNER 10600 W Brown Deer Rd
 Milwaukee, WI 53224
 COLLABORATIVE METALWORKS <http://www.wagnercompanies.com/>

2



1