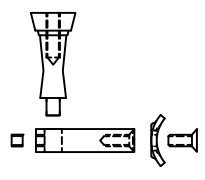
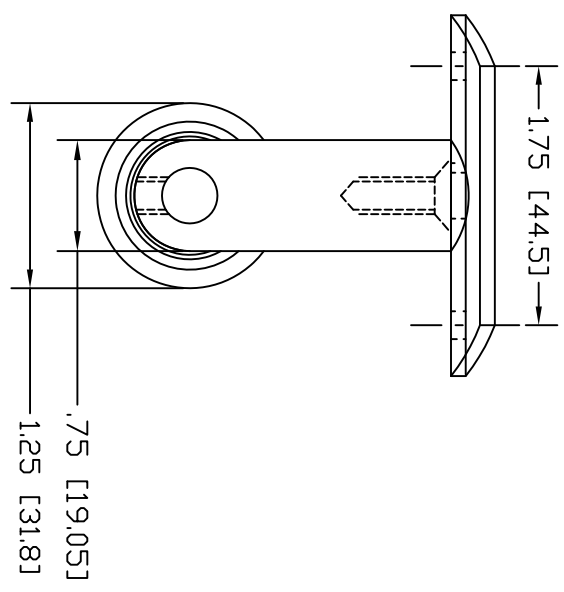
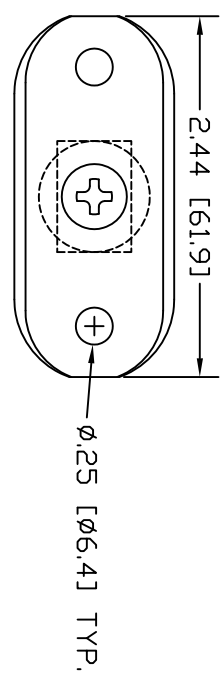
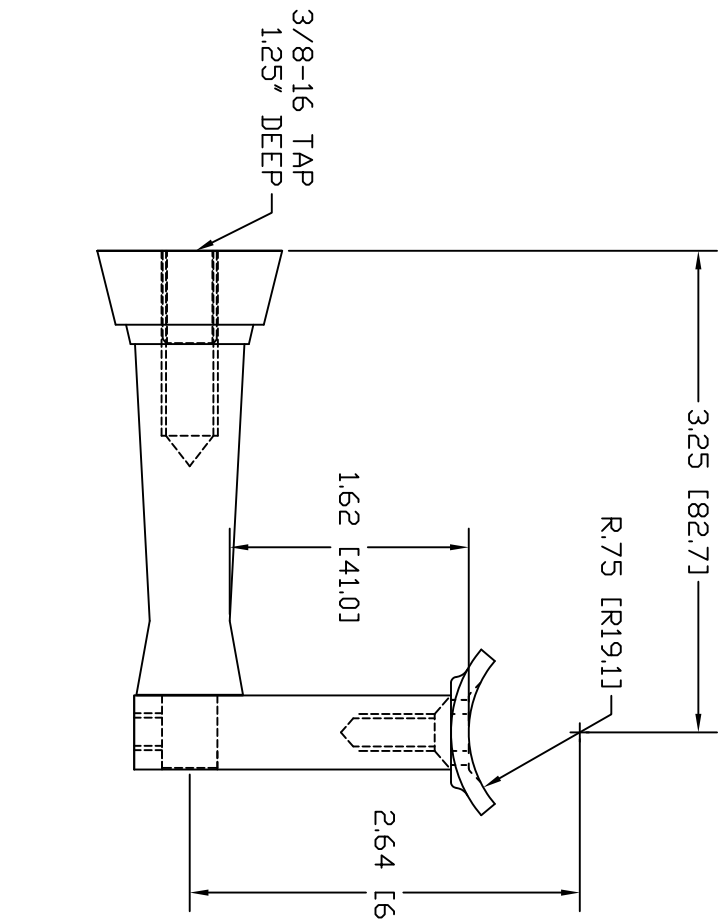



PART NUMBER MB2302P SH REV B

REVISIONS			
REV	DESCRIPTION	DATE	APPROVED
A	3.25 WAS 2.62	02/28/08	RJF
B	REMOVED STEP IN SHAFT	09/23/10	PWH



EXPLODED VIEW

INCHES [MILLIMETERS]

PART NAME		MACHINED ALUM. BRACKET, POST MOUNT KIT	
MATERIAL		6063 ALUMINUM	
DATE	1/24/07		<b>THE WAGNER COMPANIES</b> R & B WAGNER, INC. AND J. G. BRAUN CO.
DRAWN BY	RDC		
FINISH	#4 SATIN	SIZE	A
		WEIGHT	
		PART NUMBER	MB2302P
		REV	B