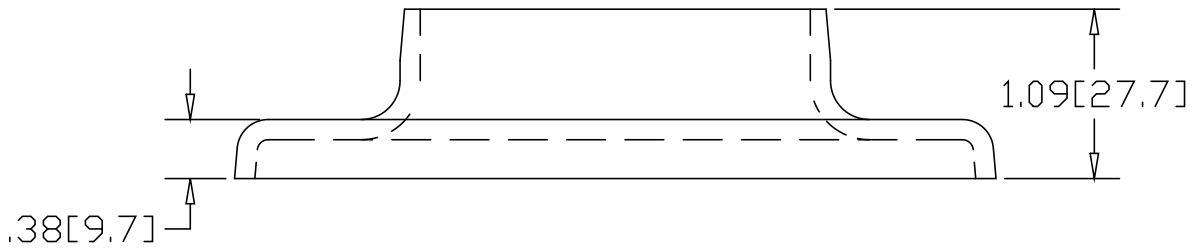
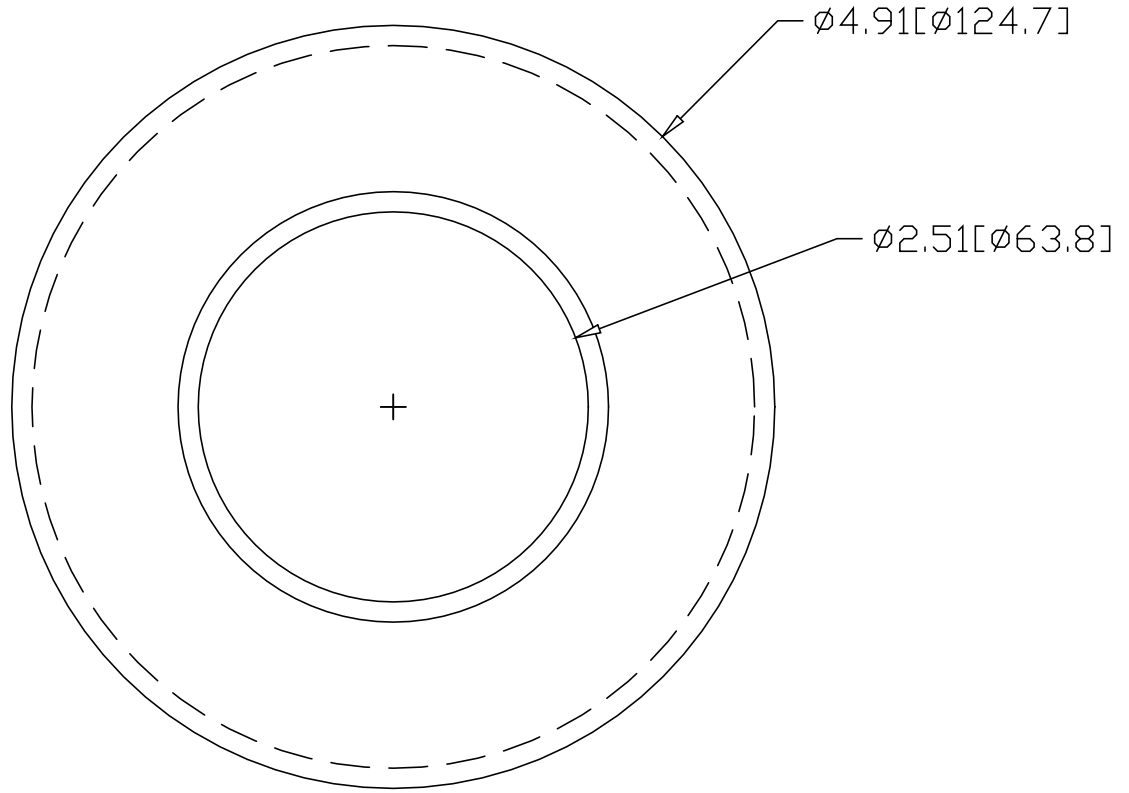



REV  
SH  
1449T  
DWG NO

REVISIONS			
REV	DESCRIPTION	DATE	APPROVED



INCHES [MILLIMETERS]

ALTERNATE MATERIAL	PART NUMBER
.125 (3003) ALUMINUM ASTM B209	1490T
10 GA. (304) STAINLESS STEEL ASTM A240	1549T
.125 (260) BRASS	BRS1449T

PART NAME 2-1/2" O.D. TUBE HEAVY BASE FLANGE			
MATERIAL 10 GA. HRP&O STEEL ASTM A569			
DATE 1/2/96	 <b>R &amp; B WAGNER, INC.</b>		
DRAWN BY RJF			
FINISH MILL	SIZE A	WEIGHT .72 LBS	PART NUMBER 1449T
			REV