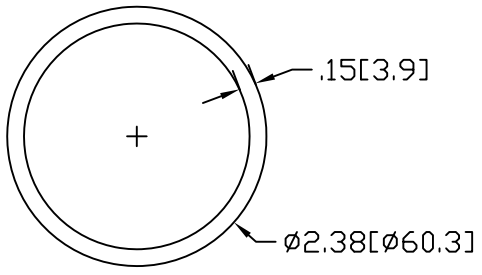
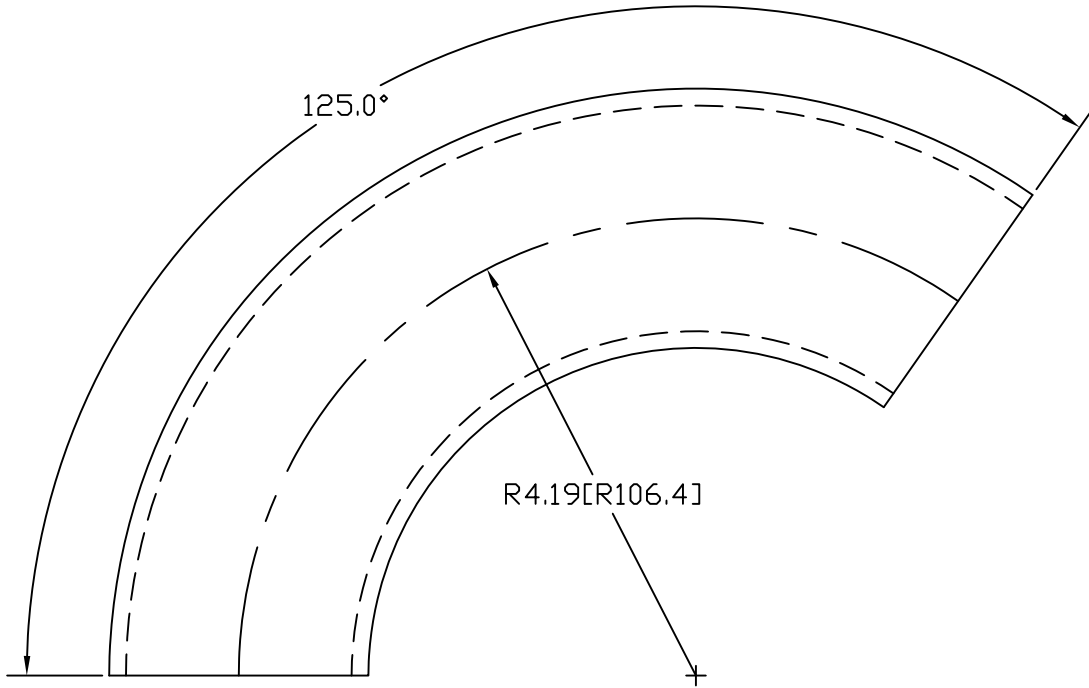



REV
SH
426
DWG NO

REVISIONS			
REV	DESCRIPTION	DATE	APPROVED



INCHES [MILLIMETERS]

ALTERNATE MATERIAL	PART NUMBER
2" SCH 40 (6063) ALUMINUM PIPE	448
2" SCH 40 (304) STAINLESS STEEL PIPE	466

PART NAME		2" PIPE SIZE 125° X 3" I.R. ELL			
MATERIAL		2" SCH 40 STEEL PIPE			
DATE	9/14/95	 R & B WAGNER, INC.			
DRAWN BY	RJF				
FINISH	MILL	SIZE	WEIGHT	PART NUMBER	REV
		A	2.77 LBS	426	