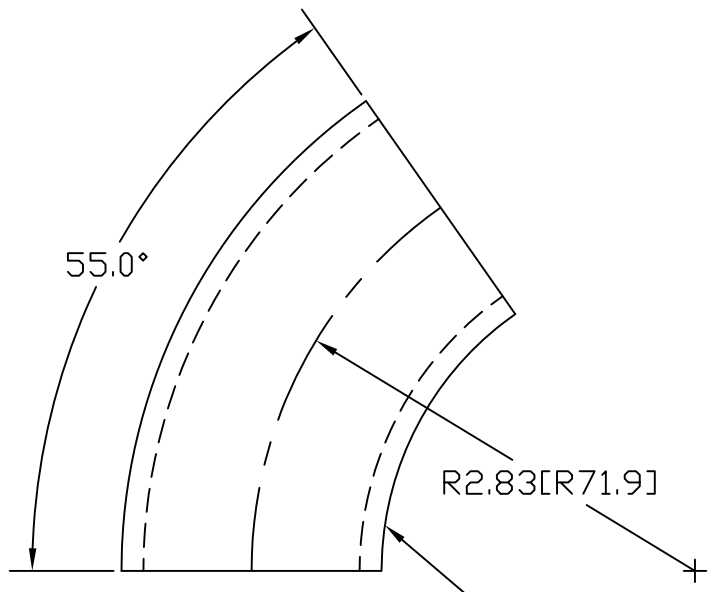
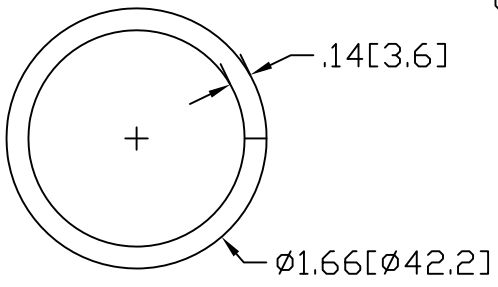


REV  
SH  
262  
DWG NO

| REVISIONS |             |      |          |
|-----------|-------------|------|----------|
| REV       | DESCRIPTION | DATE | APPROVED |




NOTE: UNWELDED SEAM  
ALONG INSIDE RADIUS  
(STEEL ELLS ONLY)



INCHES [MILLIMETERS]

| ALTERNATE MATERIAL                       | PART NUMBER |
|--|-------------|
| 1-1/4" SCH 40 (6063) ALUMINUM PIPE       | 286         |
| 1-1/4" SCH 40 (304) STAINLESS STEEL PIPE | 311         |

|           |         |  |         |             |
|-----------|---------|--|---------|-------------|
| PART NAME |         | 1-1/4" PIPE SIZE 55° ELL X 2" I.R.   |         |             |
| MATERIAL  |         | 10 GA. HRP&D STEEL ASTM A569   |         |             |
| DATE      | 8/24/95 |  R & B WAGNER, INC. |         |             |
| DRAWN BY  | RJF     |  |         |             |
| FINISH    | MILL    | SIZE   | WEIGHT  | PART NUMBER |
|           |         | A  | .54 LBS | 262         |
|           |         |  |         | REV         |