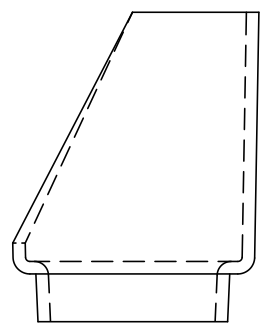
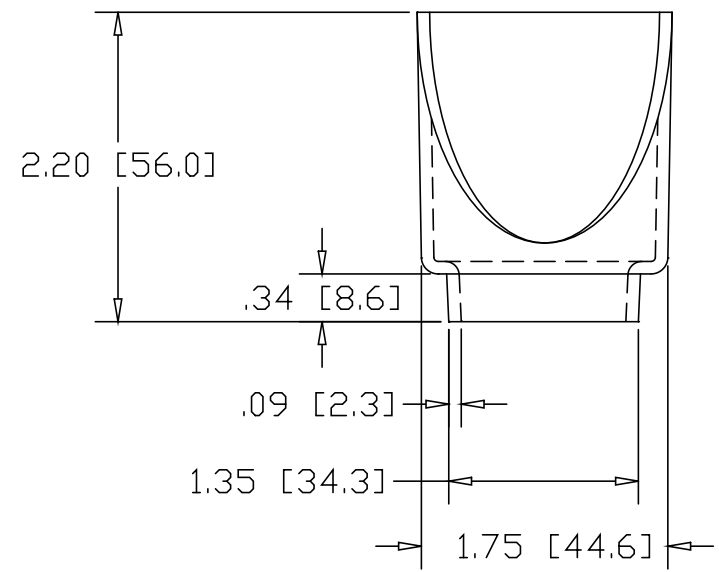
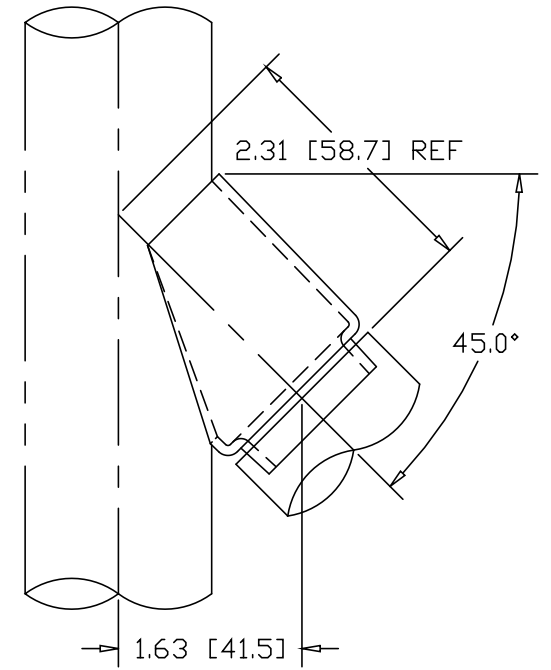
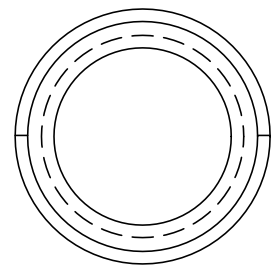
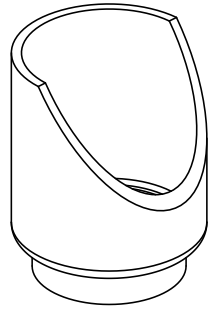



REVISIONS			
REV	DESCRIPTION	DATE	APPROVED



INCHES [MILLIMETERS]

PART NAME 1-1/4" SCH 40 PIPE 45° TYPE "E" COPED WELDING CONNECTOR			
MATERIAL 13 GA. (.089) HRP&D STEEL ASTM A569			
DATE	10/22/01		THE WAGNER COMPANIES R & B WAGNER, INC. AND J. G. BRAUN CO.
DRAWN BY	JAH		
FINISH	MILL	SIZE	WEIGHT
		A	.21 LBS
		PART NUMBER	1872
		REV	