

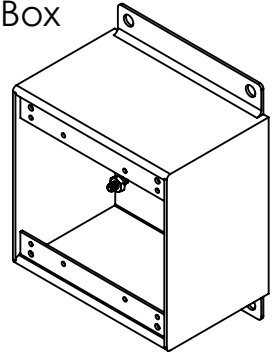
# ENDURALL™

## Double Gang Stainless Steel Junction and Device Box

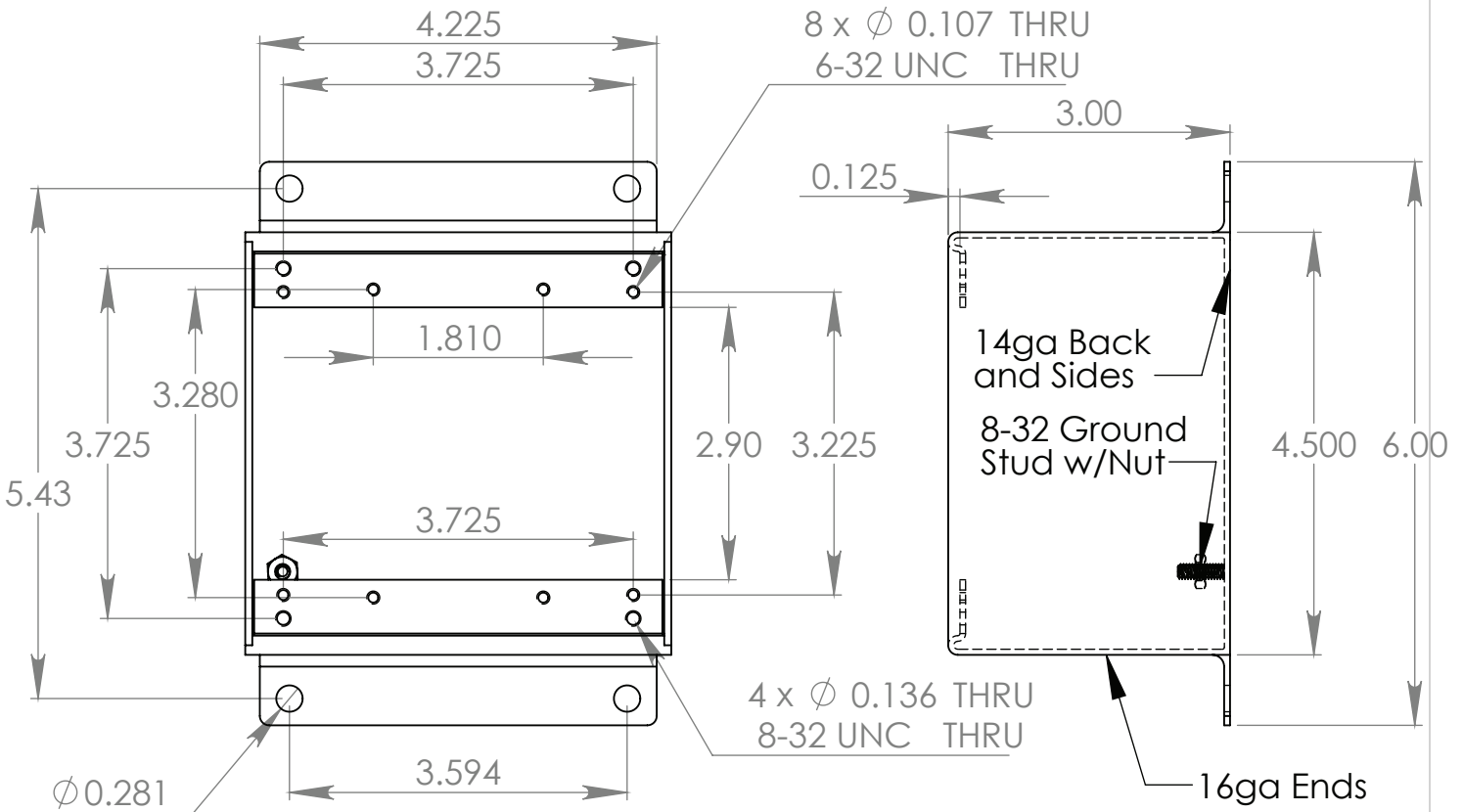


End View

Model Number:  
BLM 2-04SS or  
BLM 2-16SS



Volume: 53.7 cu.in.



Top View

Side View

U.S. Pat. No. 5,693,909  
Canadian No. 2,207,796

		DIMENSIONS ARE IN INCHES TOLERANCES: ANGULAR $\pm .5$ FRACTIONAL $\pm .031$ TWO PLACE DECIMAL $\pm .030$ THREE PLACE DECIMAL $\pm .015$		NAME	DATE	
		MATERIAL <b>304 or 316 SS</b>		DRAWN	BEH 8/10/09	
		FINISH		CHECKED	BLM 8/10/09	
DIM. CHANGE		4/10/17		ENG APPR.		
REVISION		DO NOT SCALE DRAWING		MFG APPR.		
				Q.A.		SIZE DWG. NO. REV. <b>A</b> Double Gang SS Device Box
				COMMENTS:		