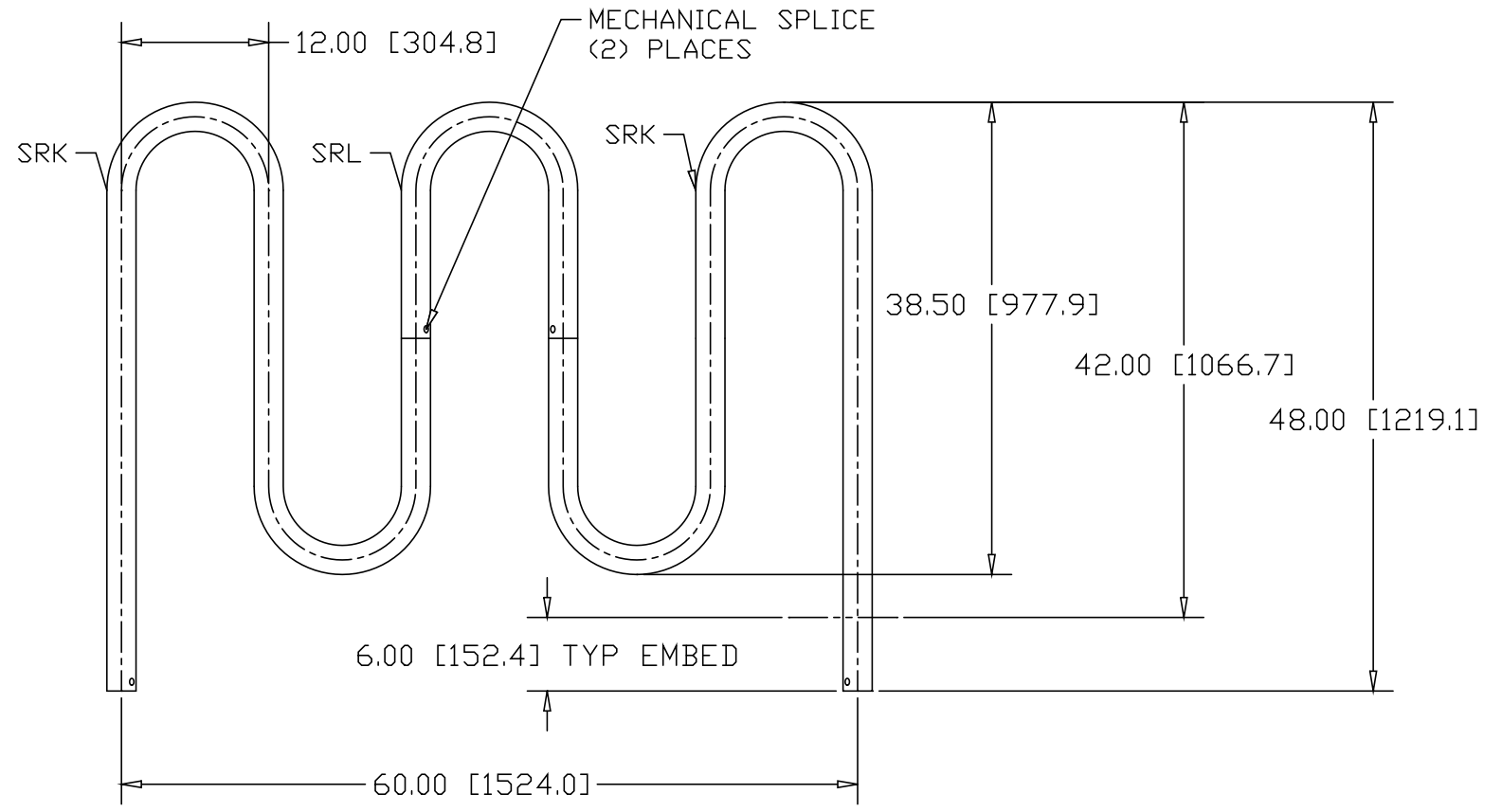


REVISIONS			
REV	DESCRIPTION	DATE	APPROVED
A	Ht WAS 52.00, EMBED WAS 10.00	12/19/06	RJF



INCHES [MILLIMETERS]

PART NAME		PRE-GALVANIZED BIKE RACK KIT, (5) LOOP					
MATERIAL		2.375" OD X .120W GALVANIZED STEEL TUBE					
DATE	04/21/06	WAGNER	THE WAGNER COMPANIES R & B WAGNER, INC. AND J. G. BRAUN CO.				
DRAWN BY	RJF						
FINISH	POWDER COAT BLACK						
SIZE	A	WEIGHT	64.9 LBS	PART NUMBER	SR5LW-BLK	REV	A