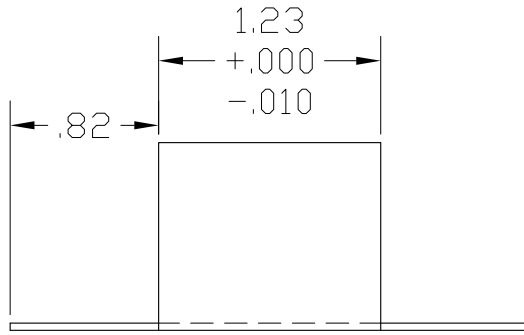
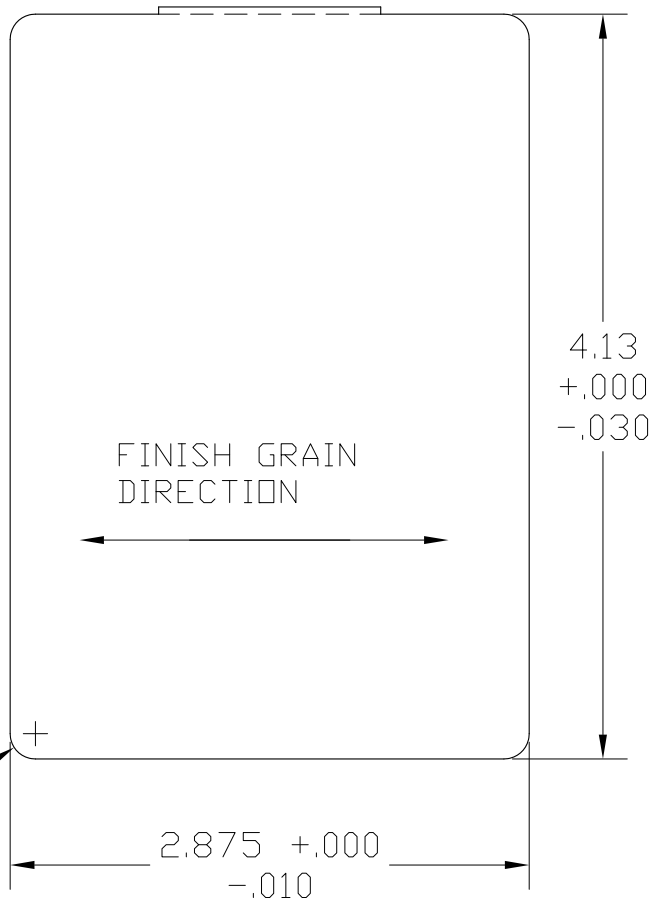
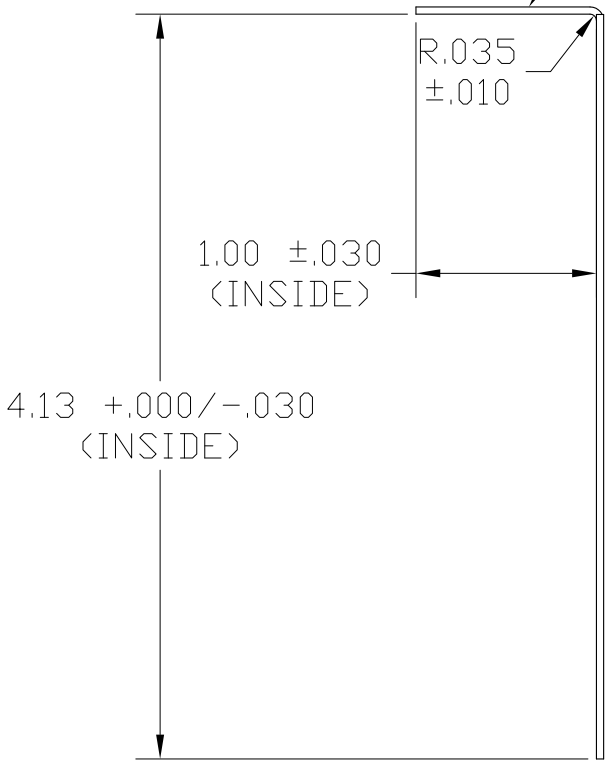



REV
SH
DWG NO GR2876EC.4

REVISIONS			
REV	DESCRIPTION	DATE	APPROVED



#4 FINISH ON OUTSIDE



PART NAME				END CAP, CLADDING, GLASS RAIL SHOE MOLDING			
MATERIAL				.050" 5052-H32 ALUMINUM SHEET			
DATE		04/02/15		 THE WAGNER COMPANIES R & B WAGNER, INC. AND J. G. BRAUN CO.		REV	
DRAWN BY		RJF				PART NUMBER	
FINISH		#4 SATIN		SIZE		WEIGHT	
		A					