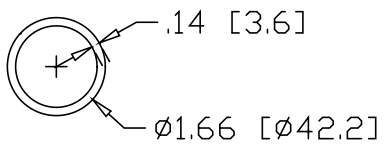
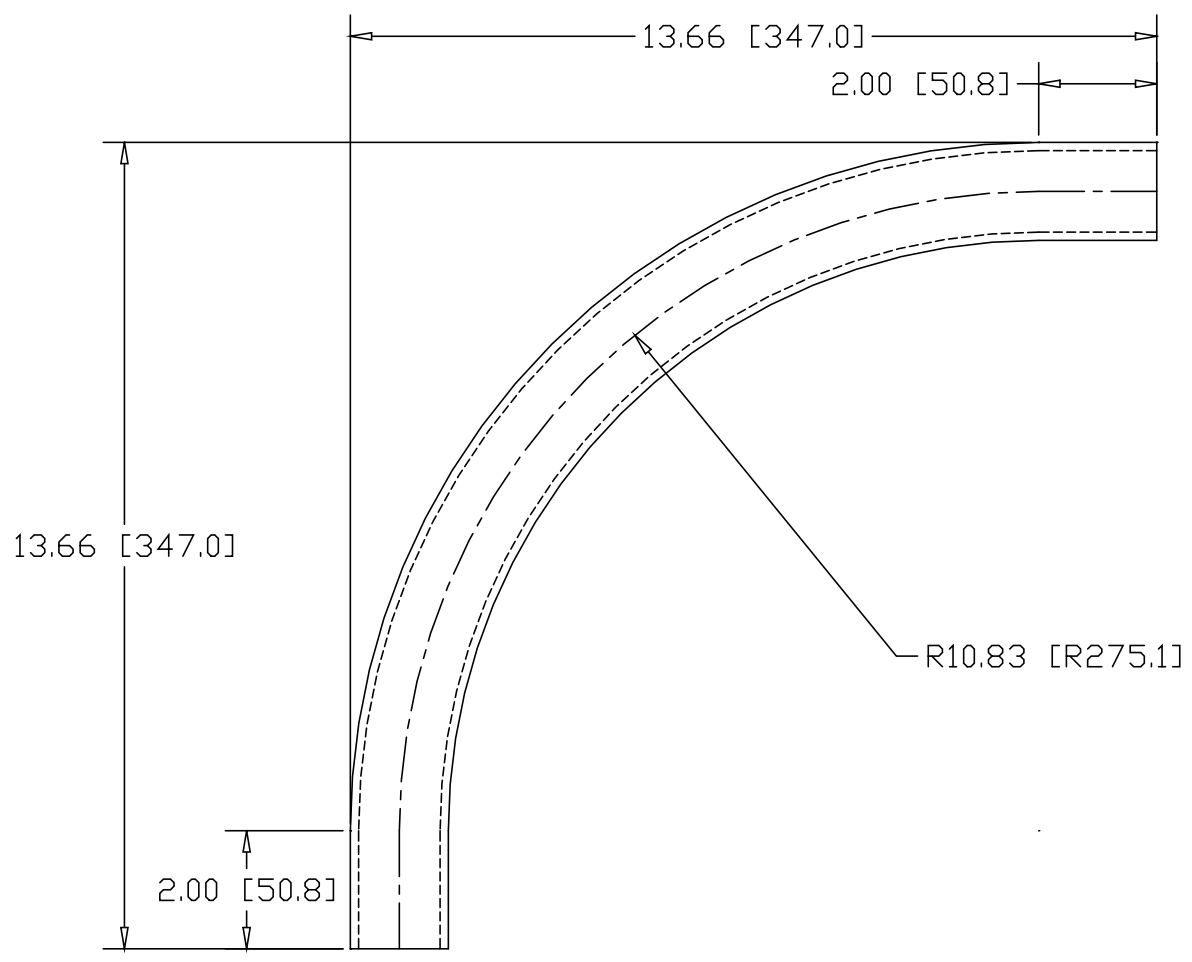


REV
SH
8258
DWG NO

REVISIONS			
REV	DESCRIPTION	DATE	APPROVED



INCHES [MILLIMETERS]

ALTERNATE MATERIAL	PART NUMBER
1-1/4" SCH 40 (6063) ALUMINUM PIPE	8272
1-1/4" SCH 40 (304) STAINLESS STEEL PIPE	8286

PART NAME 1-1/4" PIPE SIZE 90° ELL X 10" I.R. W/ (2) 2" TANGENTS			
MATERIAL 1-1/4" SCH 40 A53 STEEL PIPE			
DATE 8/7/01	WAGNER	R & B WAGNER, INC.	
DRAWN BY JAH			
FINISH MILL			
SIZE A	WEIGHT 4.00 LBS	PART NUMBER 8258	REV