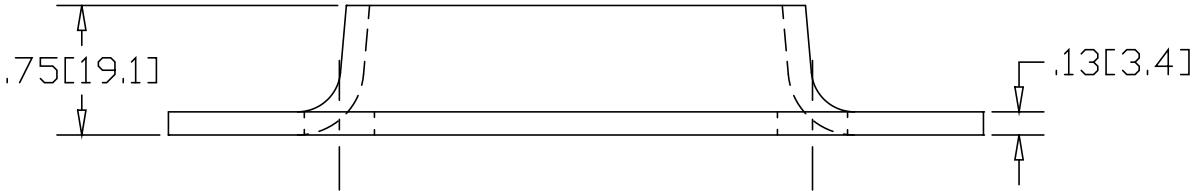
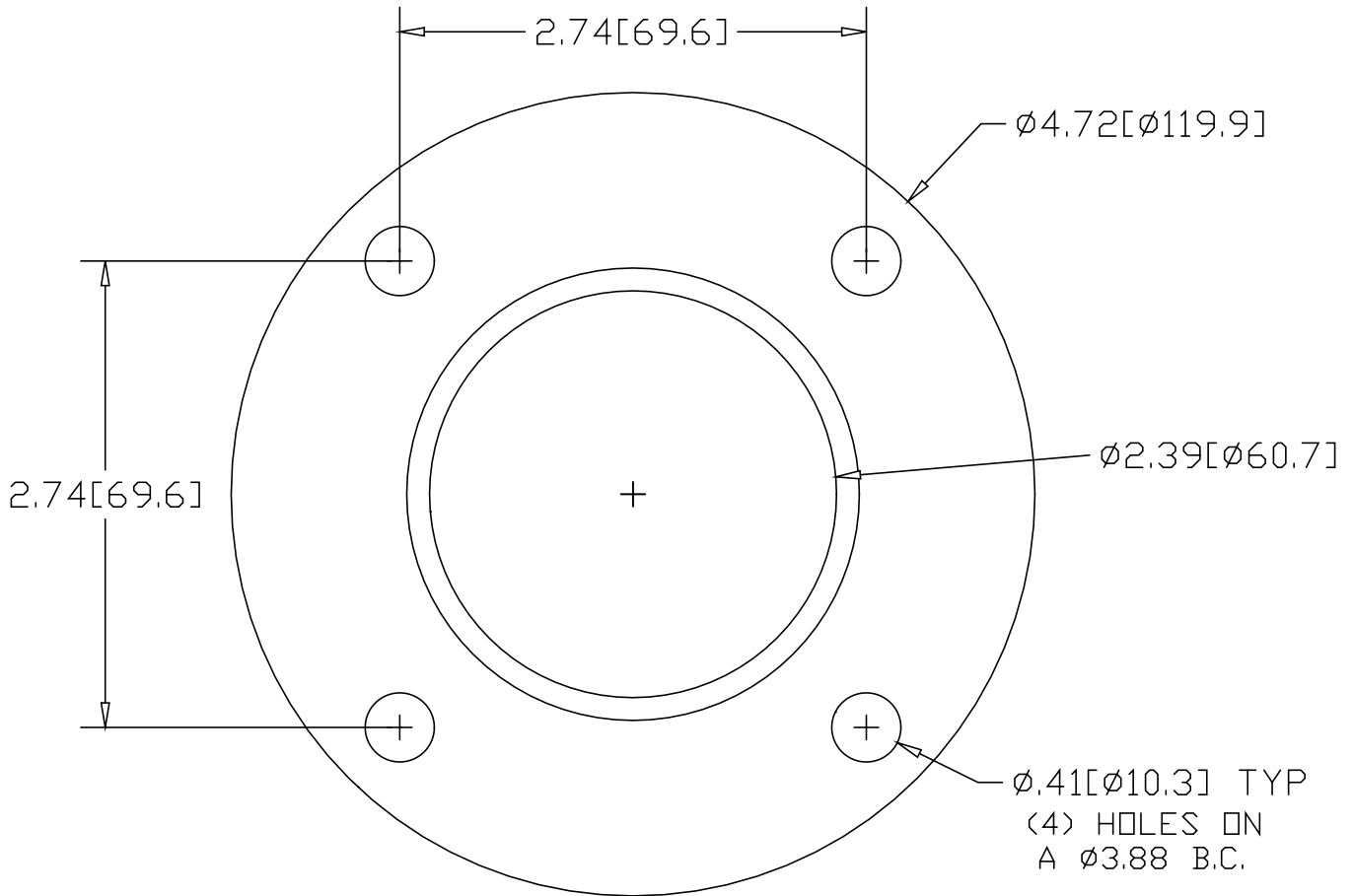



REV
SH
644
DWG NO

| REVISIONS | | | |
|-----------|-------------|------|----------|
| REV | DESCRIPTION | DATE | APPROVED |



INCHES [MILLIMETERS]

| ALTERNATE MATERIAL | PART NUMBER |
|--|-------------|
| .125 (3003) ALUMINUM ASTM B209 | 684 |
| 10 GA. (304) STAINLESS STEEL ASTM A240 | 727 |

| | | | | | | | |
|-----------|--|--------|--|---|---------|--------------------|-----|
| PART NAME | | | | 2" FLAT BASE PIPE FLANGE WITH (4) HOLES | | | |
| MATERIAL | | | | 10 GA. HRP&D STEEL ASTM A-569 | | | |
| DATE | | 1/8/99 | |  | | R & B WAGNER, INC. | |
| DRAWN BY | | RJF | | | | | |
| FINISH | | MILL | | SIZE | WEIGHT | PART NUMBER | REV |
| | | | | A | .68 LBS | 644 | |