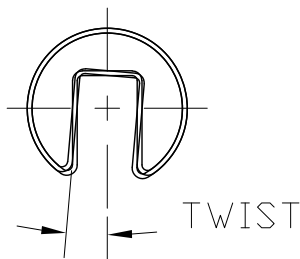
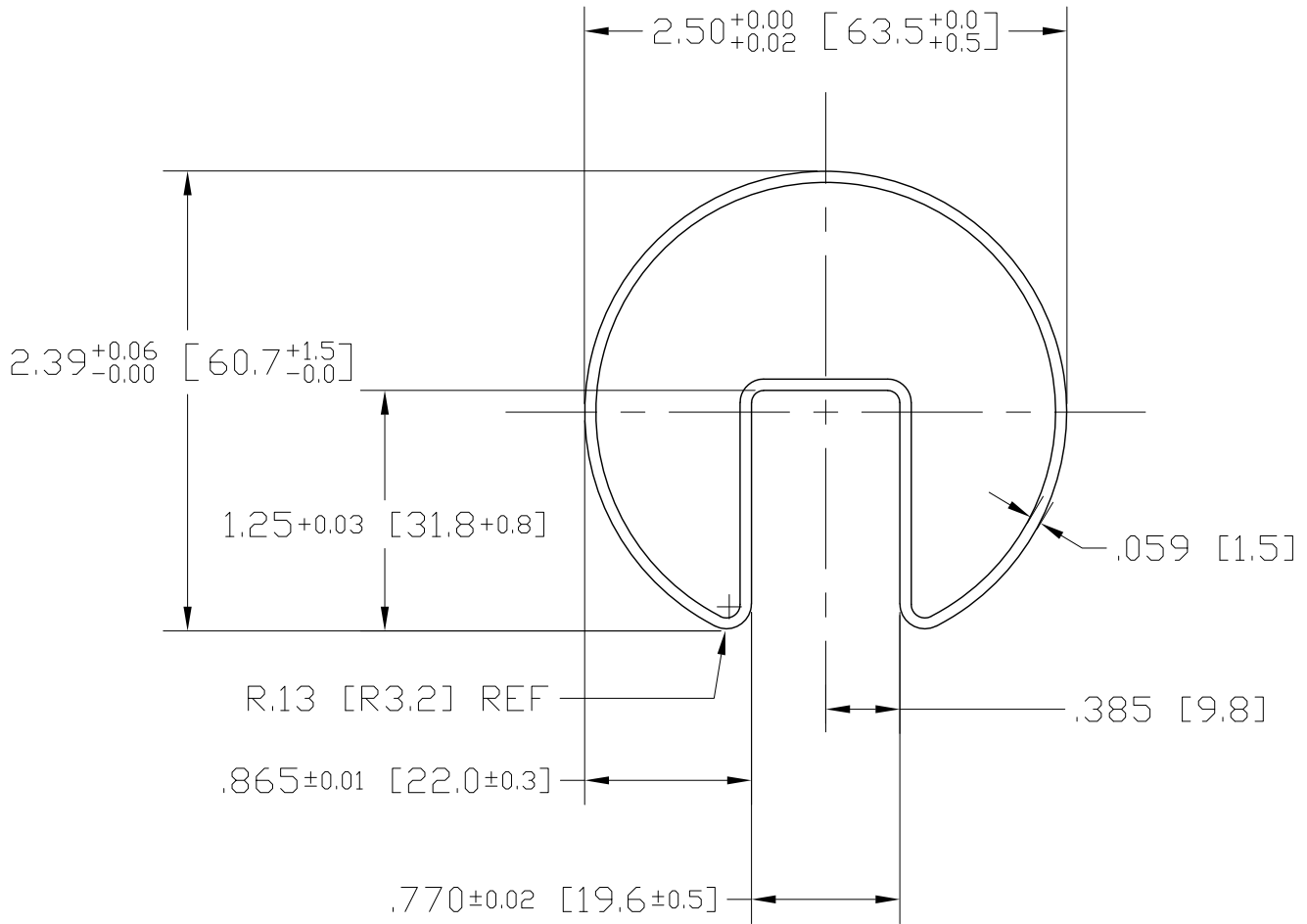



REV A
SH
DWG NO GR3250

REVISIONS			
REV	DESCRIPTION	DATE	APPROVED
A	REVISED DIMENSIONS AND TOLERANCE	04/01/08	RJF



NOTE: MAXIMUM ALLOWABLE TWIST
0.5° PER FOOT WITH MAXIMUM 5.0° PER LENGTH

INCHES [MILLIMETERS]

PART NAME 2.50" OD X .059W STAINLESS STEEL CAPRAIL			
MATERIAL 304 STAINLESS STEEL			
DATE 11/05/03	 THE WAGNER COMPANIES R & B WAGNER, INC. AND J. G. BRAUN CO.		
DRAWN BY RJF			
FINISH MILL	SIZE A	WEIGHT	PART NUMBER GR3250
			REV A