

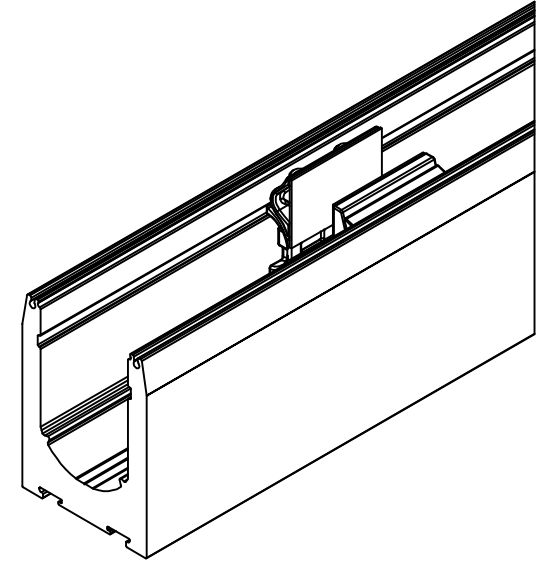
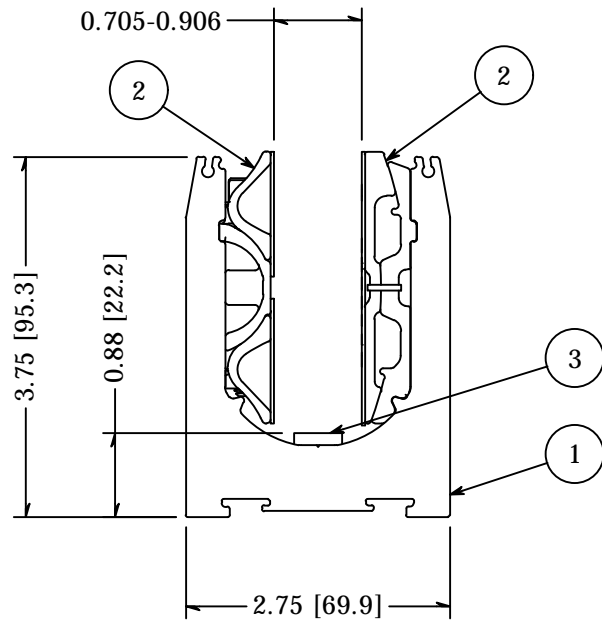
2



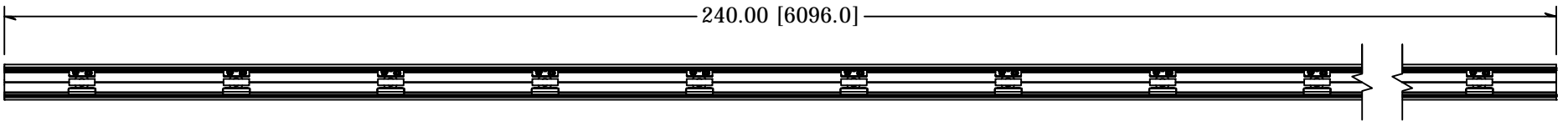
1

## PARTS LIST

ITEM	QTY	PART NUMBER	DESCRIPTION
1	1	GR2LL5075HCB	Shoe Moulding, Aluminum, Level lock Plus, For .5 to .75 Glass, 2.75 Wide, 3.75 High, 20 Foot Lengths, Hole Counterbored, 12 in on Center, Mill Finish
2	2	LL3421	Level Lock Plus, Mechanism 10 Pack, for 3/4" Nominal Glass, .705-.906"
3	2	GR9LL1250	Shoe Isolator, Level Lock +, HDPE, 0.125 x 0.50 x 2.00, 10 pack

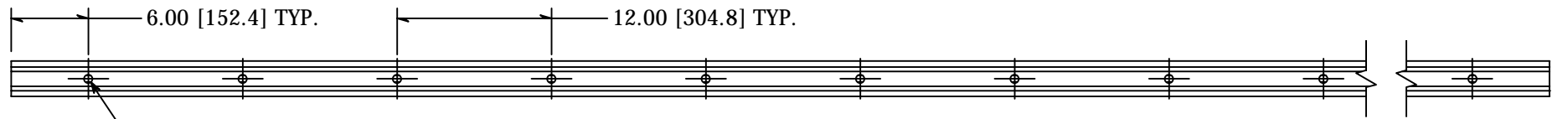


240.00 [6096.0]



6.00 [152.4] TYP.

12.00 [304.8] TYP.

(20) Ø0.63 THRU  
□ Ø1.13

<b>TOLERANCE</b> X.XX +/- 0.01 X.XXX +/- 0.005 Angle +/- 0.5  Unless Otherwise Specified	CUT LENGTH:	FINISH:	DESCRIPTION:	
	DEVELOPED LENGTH:	WEIGHT:	MATERIAL:	MATERIAL DESC:
	TOOL NUMBER:		DATE:	REV:
			DRAWN BY:	PART NUMBER:
	20FT	N/A	4/8/2021	1
			A. Seeboth	LL3421KIT20
			Level Lock Plus, Sales kit, for 3/4", 19mm-21mm glass, 20ft shoe HCB, W/ Mechanisms	
			10600 W Brown Deer Rd Milwaukee, WI 53224 http://www.wagnercompanies.com/	
			<b>WAGNER</b> ™ COLLABORATIVE METALWORKS	

2



1