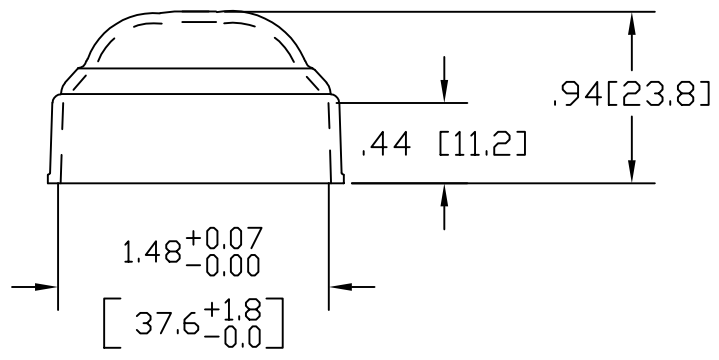
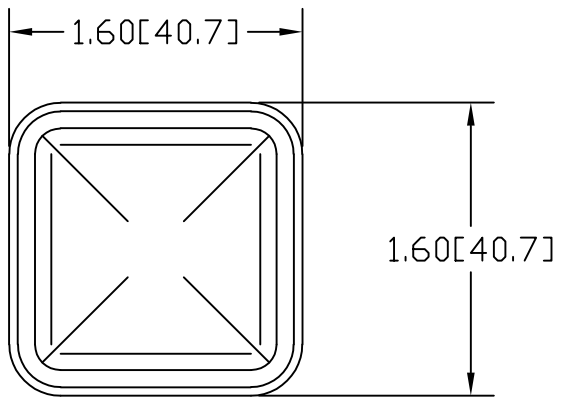



REV
SH
5156
DWG NO

REVISIONS			
REV	DESCRIPTION	DATE	APPROVED
2	ID +.03 TO +.07	3/7/2024	WEP



INCHES [MILLIMETERS]

ALTERNATE MATERIAL	PART NUMBER
.050 (3003) ALUMINUM ASTM B209	5158
18 GA. 304 STAINLESS STEEL	5160

PART NAME		1.50" SQUARE NEWEL POST CAP	
MATERIAL		18 GA. CR STEEL ASTM A366	
DATE	11/8/96	 THE WAGNER COMPANIES R & B WAGNER, INC. AND J. G. BRAUN CO.	
DRAWN BY	RJF		
FINISH	MILL	SIZE	A
		WEIGHT	.09 lbs
		PART NUMBER	5156
		REV	2