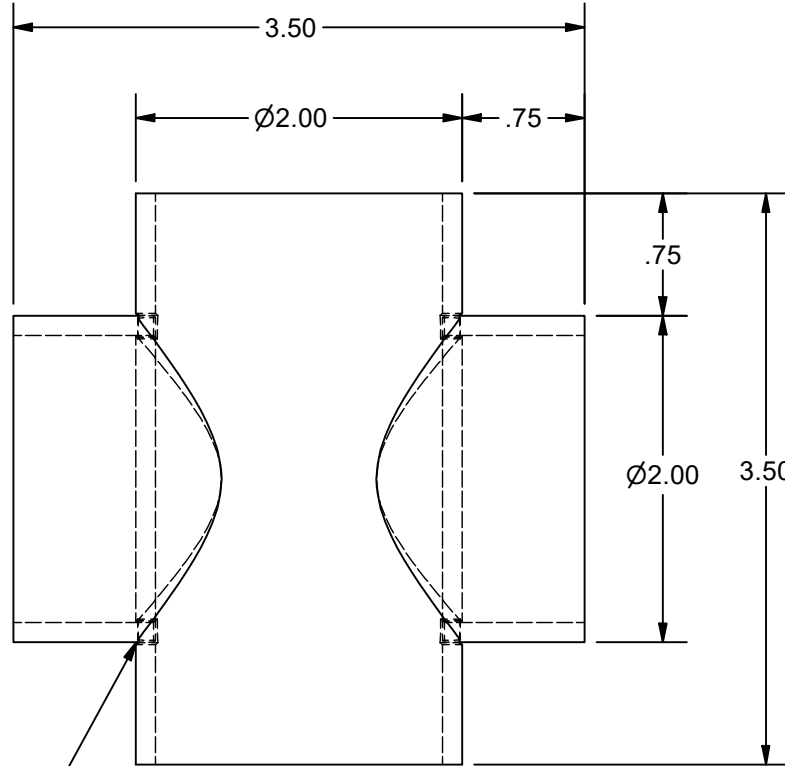
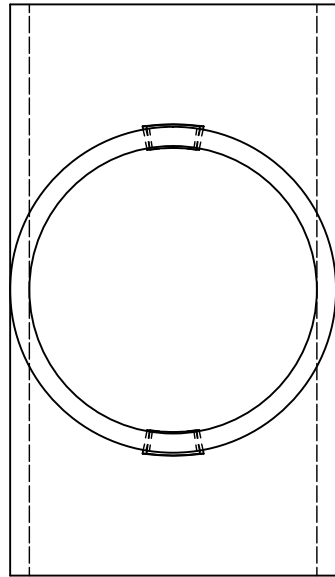
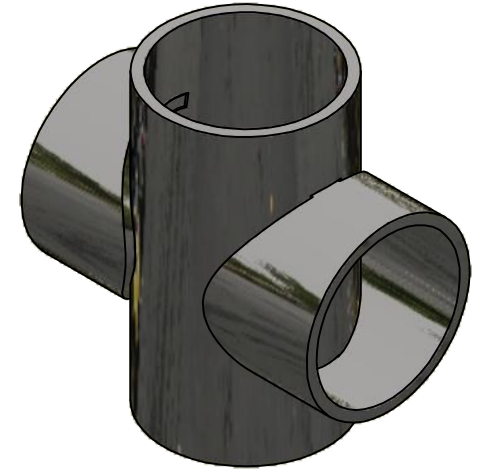



REVISION HISTORY

REV	DESCRIPTION	DATE	APPROVED
A	WELDED ASSEMBLY WAS STAMPING	04/06/21	RJF



TYP  $\sqrt[.12]{\text{---}}$

NAME		2.00" OD TUBE SIZE STEEL CROSS		
MATERIAL		2.00" OD X .120W STEEL TUBE		
DATE	11/27/2001	COLLABORATIVE METAL WORKS		
DRAWN	RJF			
FINISH	MILL			
SIZE	WEIGHT	PART NUMBER	REV	
A	1.099 LBS	2108	A	