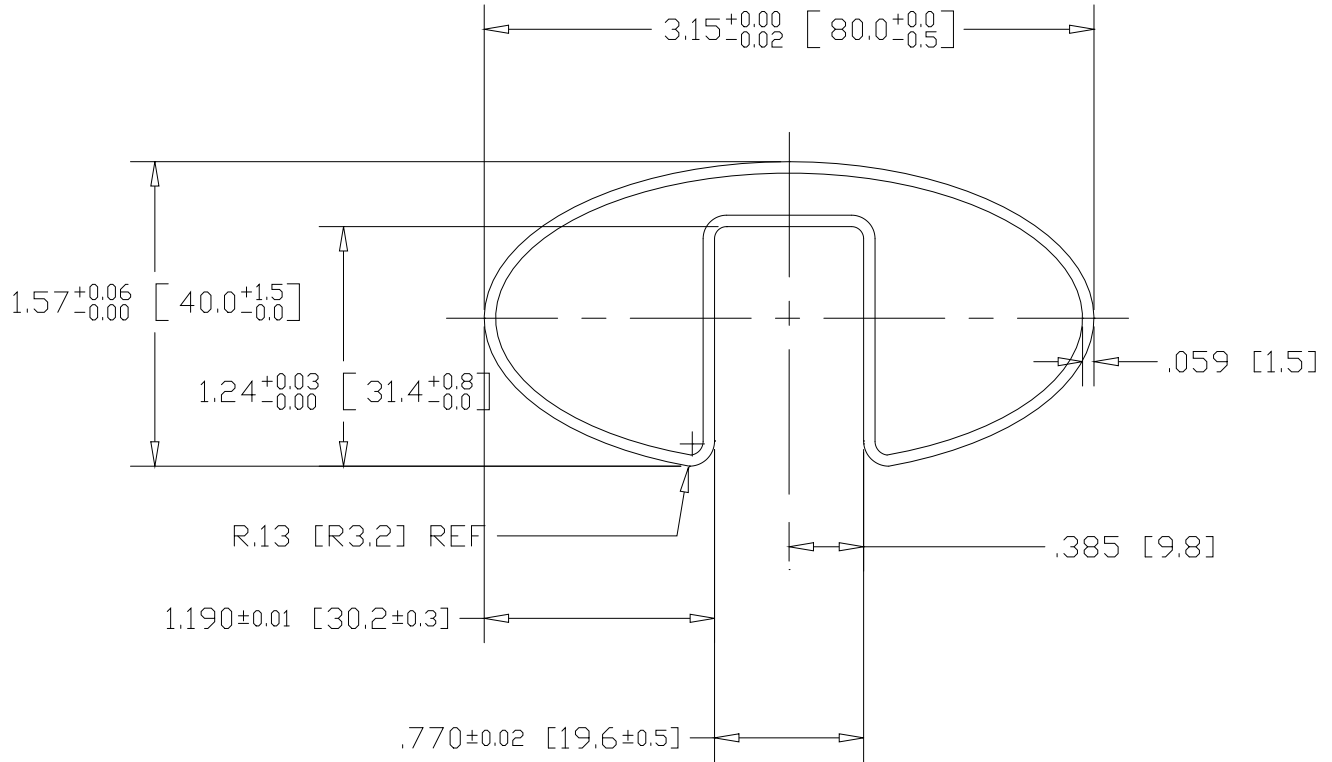



REV 1
SH
DWG NO GR3315.7

REVISIONS			
REV	DESCRIPTION	DATE	APPROVED
1	RELEASED	06/25/10	PWH



INCHES [MILLIMETERS]

PART NAME 3.15 X 1.58 OVAL CAPRAIL			
MATERIAL 304 STAINLESS STEEL			
DATE 06/25/10		THE WAGNER COMPANIES R & B WAGNER, INC. AND J. G. BRAUN CO.	
DRAWN BY PWH			
FINISH #7 BRIGHT			
SIZE A	WEIGHT	PART NUMBER GR3315.7	REV 1