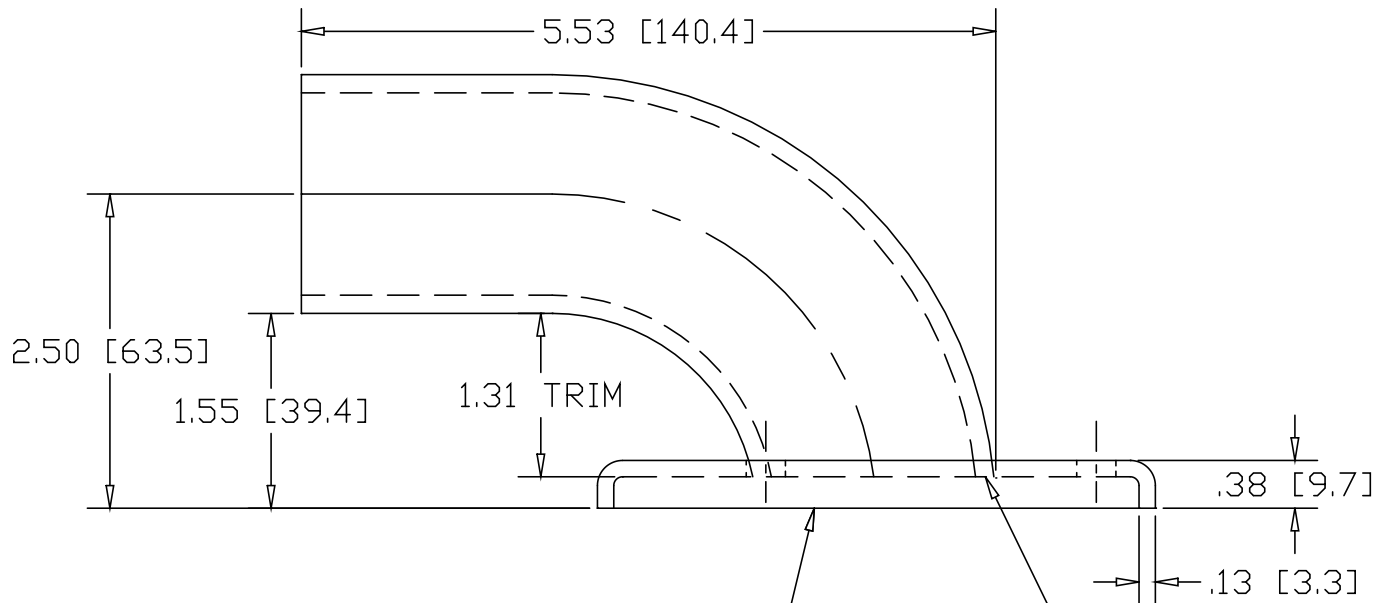
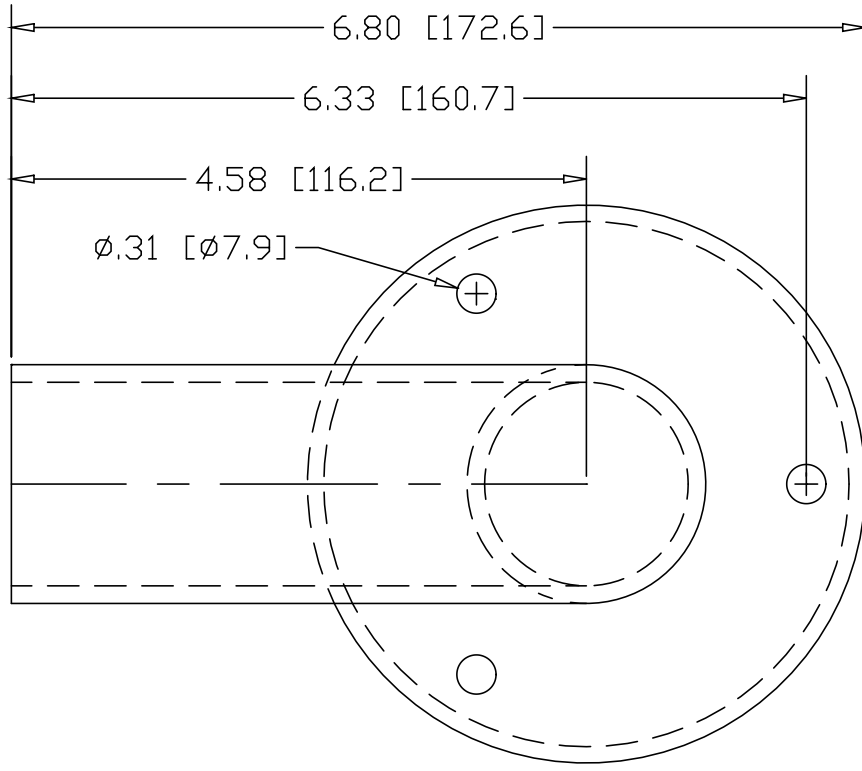


REV  
SH  
1139-3  
DWG NO

REVISIONS			
REV	DESCRIPTION	DATE	APPROVED



HEAVY FLUSH BASE  
PIPE FLANGE #2575A

WELD ALL  
AROUND

INCHES [MILLIMETERS]

PART NAME 1-1/2" PIPE SIZE X 2.50CL WALL RETURN W/3 HOLES			
MATERIAL 6063 ALUMINUM PIPE			
DATE 12/27/02		<b>THE WAGNER COMPANIES</b> R & B WAGNER, INC. AND J. G. BRAUN CO.	
DRAWN BY JAH			
FINISH MILL			
SIZE A	WEIGHT	PART NUMBER 1139-3	REV