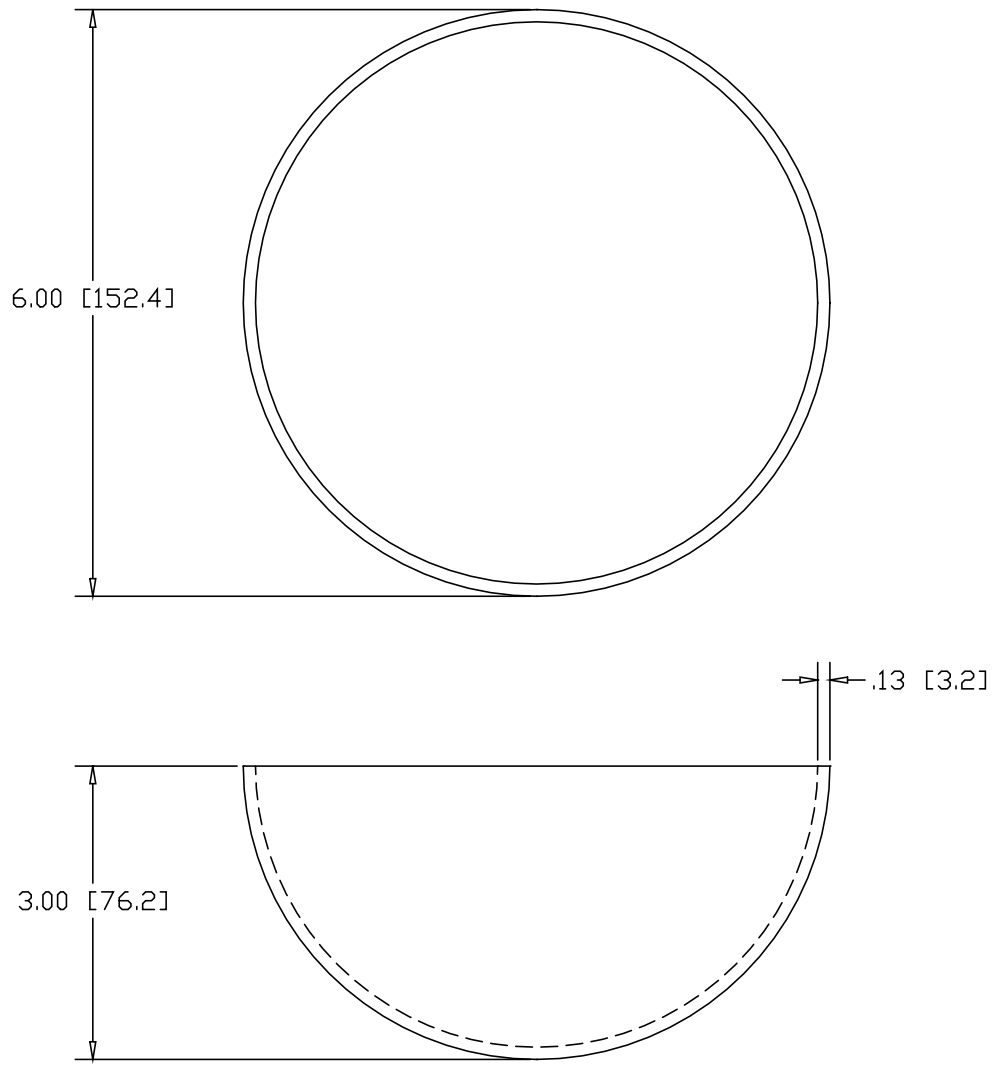


REV
SH
DWG NO B4170

REVISIONS			
REV	DESCRIPTION	DATE	APPROVED



INCHES [MILLIMETERS]

ALTERNATE MATERIAL	PART NUMBER
.125 (3003) ALUMINUM SHEET ASTM B209	B4172
11 GA. (.1200) 304 STAINLESS STEEL A240	B4174
.125 (260) BRASS	B4176
.125 (655) SILICON BRONZE	BSB4170

PART NAME		6.00" HEMISPHERE					
MATERIAL		11 GA. (.1196) HRP&D STEEL SHEET ASTM A569					
DATE	1/4/00		THE WAGNER COMPANIES R & B WAGNER, INC. AND J. G. BRAUN CO.				
DRAWN BY	RJF						
FINISH	MILL						
SIZE	A	WEIGHT	1.70 LBS	PART NUMBER	B4170	REV	