

REV

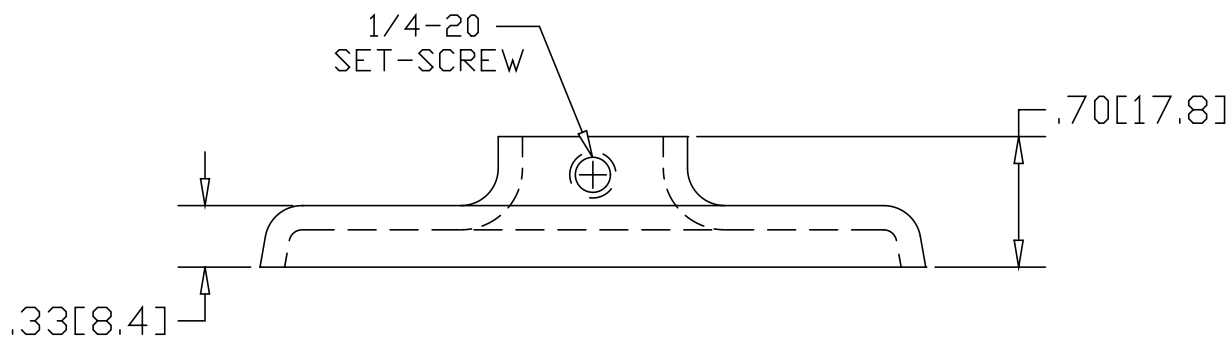
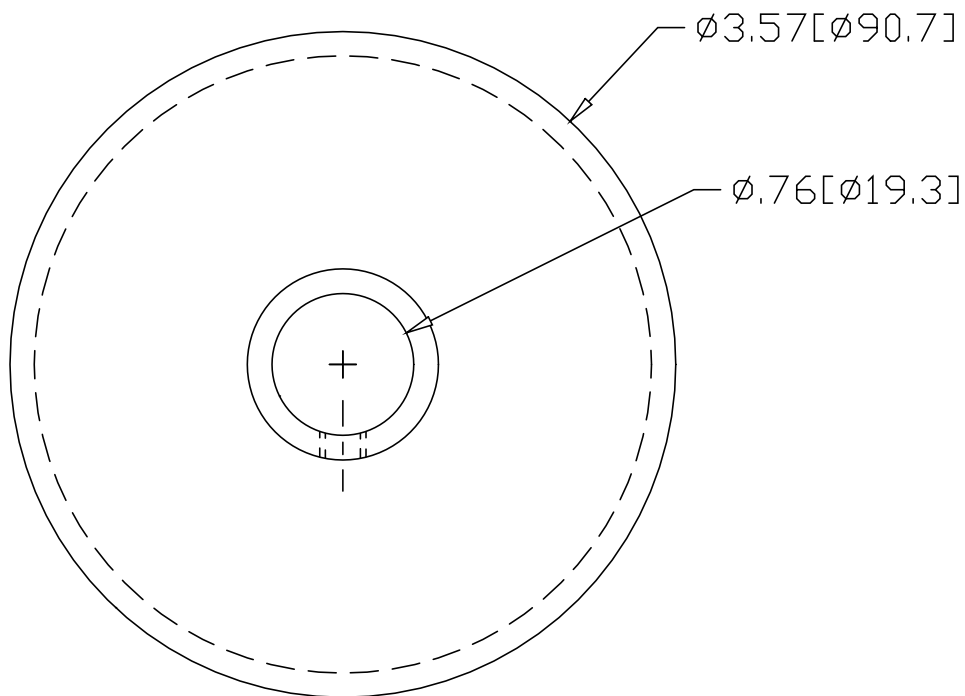
SH

1413T

DWG NO


REVISIONS

REV	DESCRIPTION	DATE	APPROVED
-----	-------------	------	----------



INCHES [MILLIMETERS]

ALTERNATE MATERIAL	PART NUMBER
.125 (3003) ALUMINUM ASTM B209	1453T
10 GA. (304) STAINLESS STEEL ASTM A240	1513T

PART NAME .75" OD TUBE HEAVY BASE FLANGE WITH SET-SCREW			
MATERIAL 10 GA. HRP&D STEEL ASTM A569			
DATE 9/13/94	 R & B WAGNER, INC.		
DRAWN BY RJF			
FINISH MILL	SIZE A	WEIGHT .41 LBS	PART NUMBER 1413T
			REV