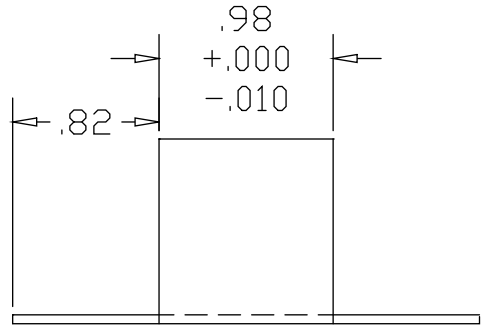
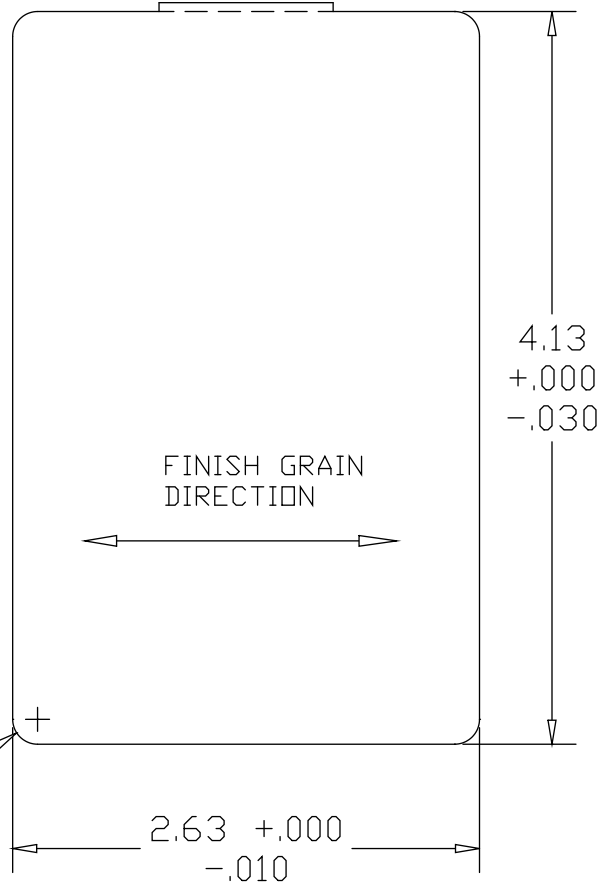
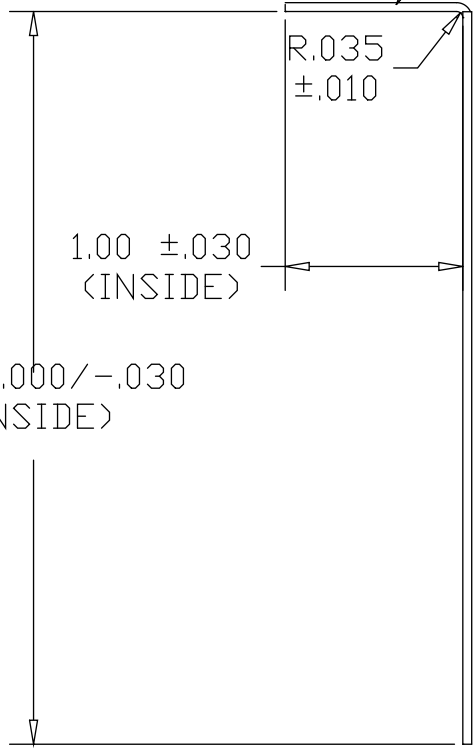


REV
SH
DWG NO GR2852EC.4


REVISIONS			
REV	DESCRIPTION	DATE	APPROVED



#4 FINISH ON OUTSIDE



R.14
(4) PLACES

PART NAME				END CAP, SHOE MOLDING WITH CLADDING			
MATERIAL				.050" 5052-H32 ALUMINUM SHEET			
DATE		02/23/12				THE WAGNER COMPANIES R & B WAGNER, INC. AND J. G. BRAUN CO.	
DRAWN BY		RJF					
FINISH		#4 SATIN		SIZE	WEIGHT	PART NUMBER	REV
				A		GR2852EC.4	

