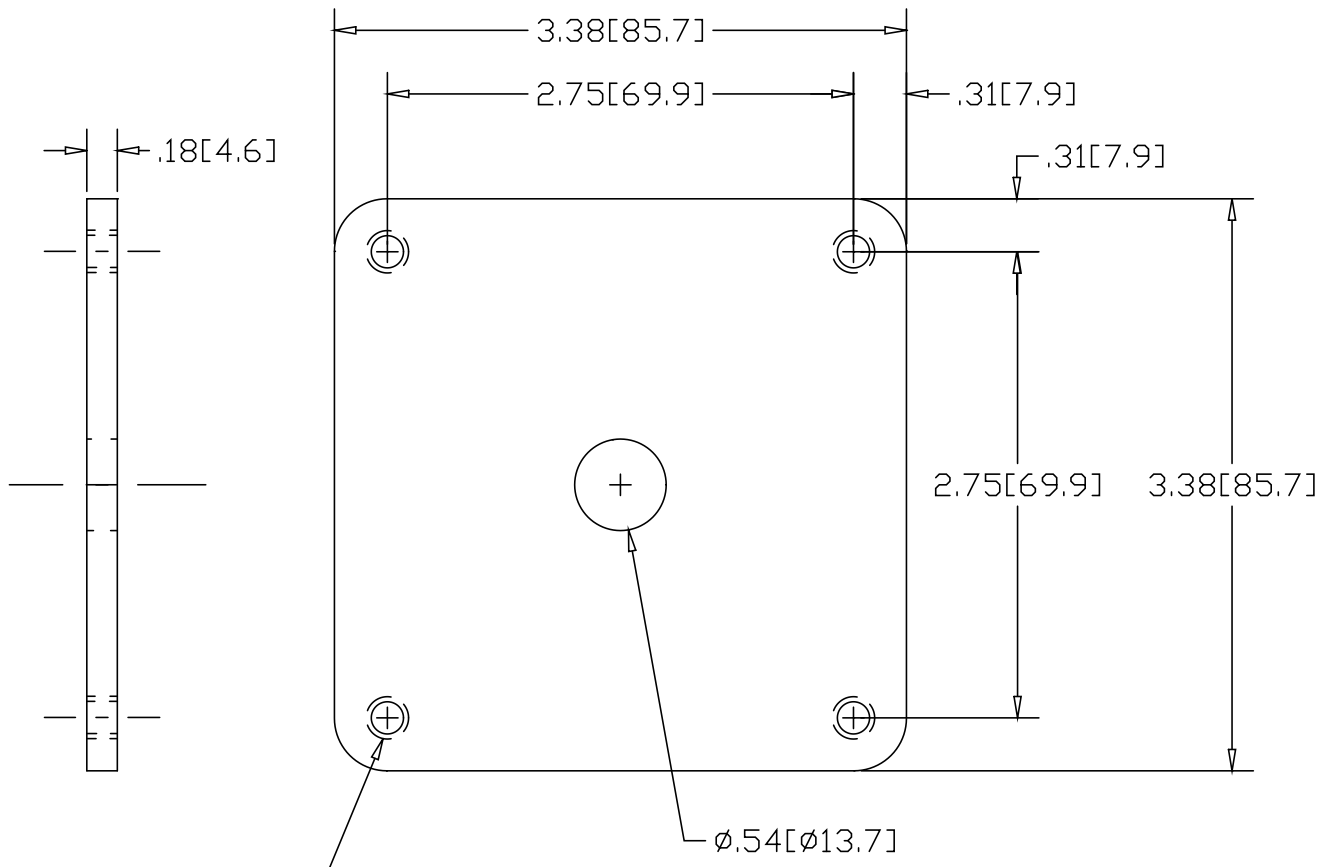


REV  
SH  
DWG NO 8727

REVISIONS			
REV	DESCRIPTION	DATE	APPROVED




1/4-20 TAP THRU  
(4) PLACES

\*INCLUDES (4) 1/4-20 X 3/8" FLAT HEAD SCREWS

INCHES [MILLIMETERS]

ALTERNATE MATERIAL	PART NUMBER
.190 (3003) ALUMINUM ASTM B209	8797
7 GA. (304) STAINLESS STEEL ASTM A240	8867

PART NAME				SQUARE ANCHOR PLATE	
MATERIAL				7 GA. HRP&O STEEL ASTM A569	
DATE	7/10/95			R & B WAGNER, INC.	
DRAWN BY	RJF				
FINISH	MILL	SIZE	A	WEIGHT	.54 LBS
			PART NUMBER	8727	REV