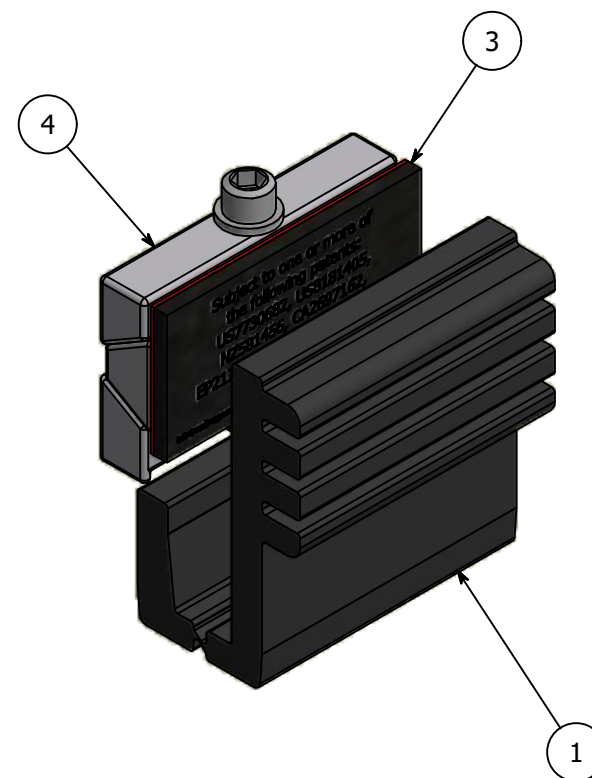
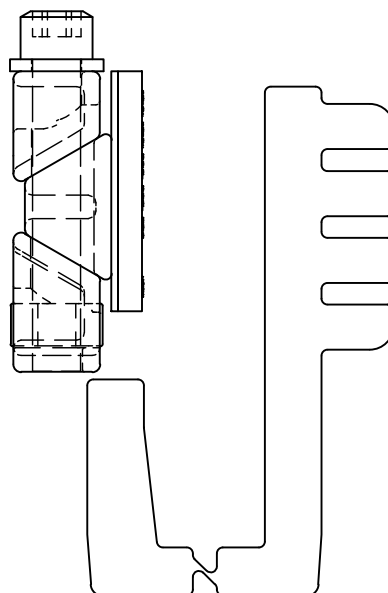
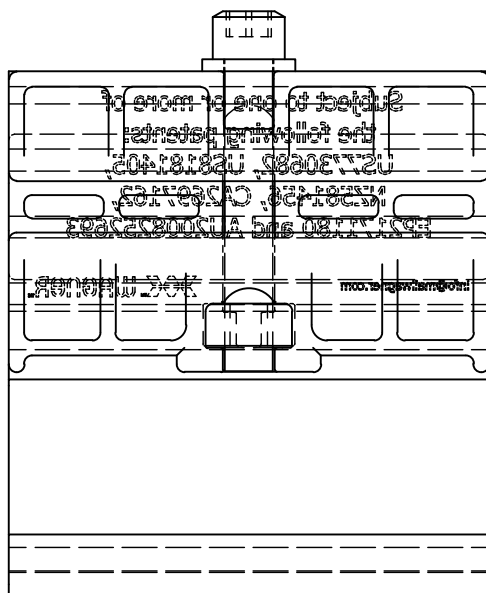




REVISION HISTORY			
REV	DESCRIPTION	DATE	
1	Initial Release	9/9/2015	
2	PGISO.160 WAS PGISO.250	2/5/2019	
3	Added Sheet 2, Mechanism details	3/18/2019	

PARTS LIST			
ITEM	QTY	PART NUMBER	DESCRIPTION
1	1	PGISO50	Black Isolator, Plastic, Used with Panel Grip, 1/2" Glass
2	1	N/A	Panel Grip Assembly, see sheet 2
3	1	PGISO.160	Isolator HDPE, Black/PSA 3M 468MP One Side, .160 Inch X 1.250 Inch X 2.500 Inch, Printed

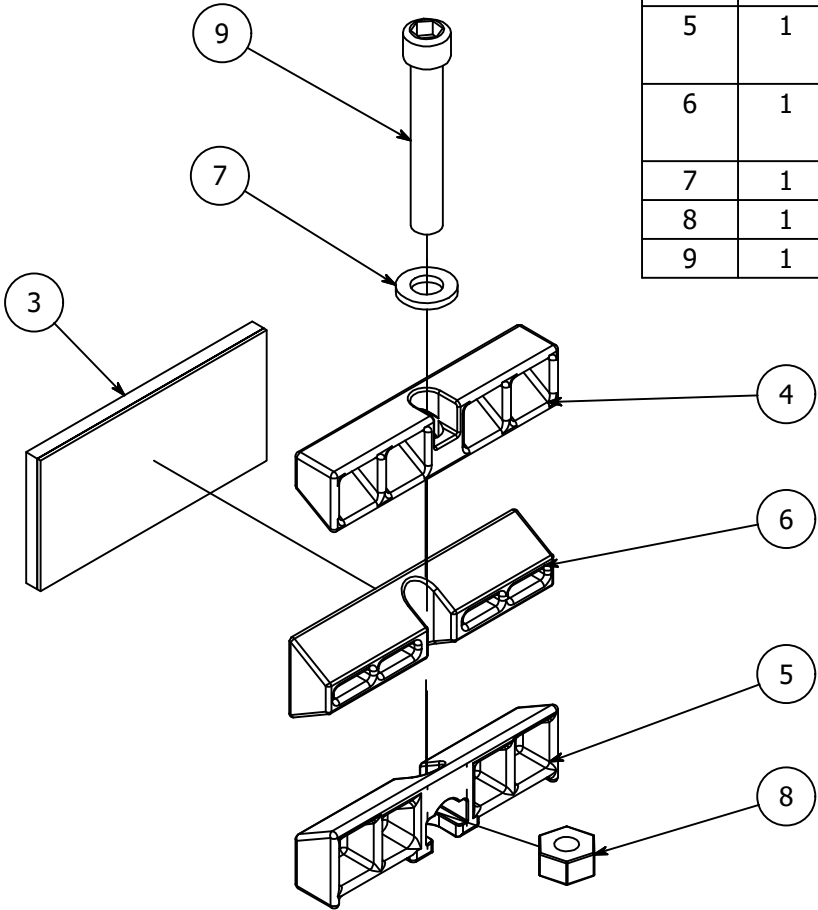


TOLERANCE X.X..... = ± .060 X.XX..... = ± .030 X.XXX..... = ± .010 XX°..... = ± 1° UNLESS OTHERWISE NOTED	CUT LENGTH:	FINISH:	DESCRIPTION: PanelGrip 2 for 1/2" Glass, Dry Mount Mechanism, with Black Isolator and Black Pad	
		As Is	MATERIAL:	MATERIAL DESC:
	DEVELOPED LENGTH:	WEIGHT:	DATE:	REV:
		0.30 lbmass	3/18/2019	3
TOOL NUMBER:		DRAWN BY:	PART NUMBER:	
		K. Bauserman	PG2472S	



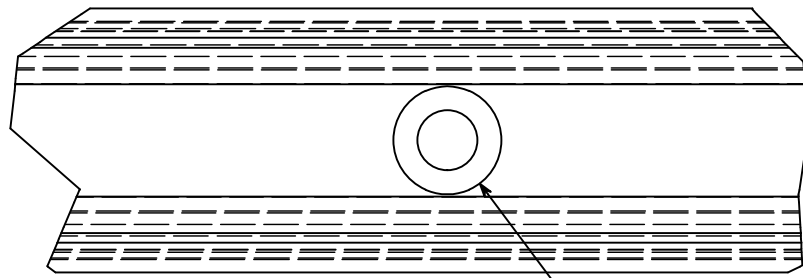
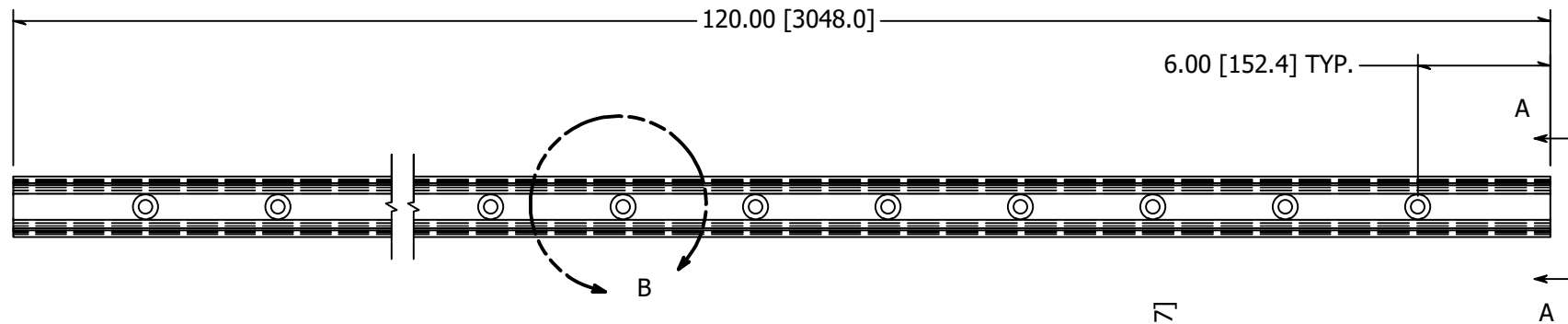
PANEL GRIP MECHANISM ASSEMBLY

PARTS LIST			
ITEM	QTY	PART NUMBER	DESCRIPTION
3	1	PGISO.160	Isolator HDPE, Black/PSA 3M 468MP One Side, .160 Inch X 1.250 Inch X 2.500 Inch, Printed
4	1	PG2T	PanelGrip, Zinc Aluminum, Cast, Top Block, .450" Thick, .57" High, 2.50" Long
5	1	PG2B	PanelGrip, Zinc Aluminum, Cast, Bottom Block, .450" Thick, .72" High, 2.50" Long
6	1	PG2C	PanelGrip, Zinc Aluminum, Cast, Center Block, .450" Thick, .76" High, 2.50" Long
7	1	PG2LW	Washer Lock, 1/4-20, Stainless Steel
8	1	PG2NUT	Nut, Stainless Steel, 1/4-20 FHN
9	1	SHC3N2520-0163	SCREW SS 1/4-20 X .50 SOCKET HEAD CAP



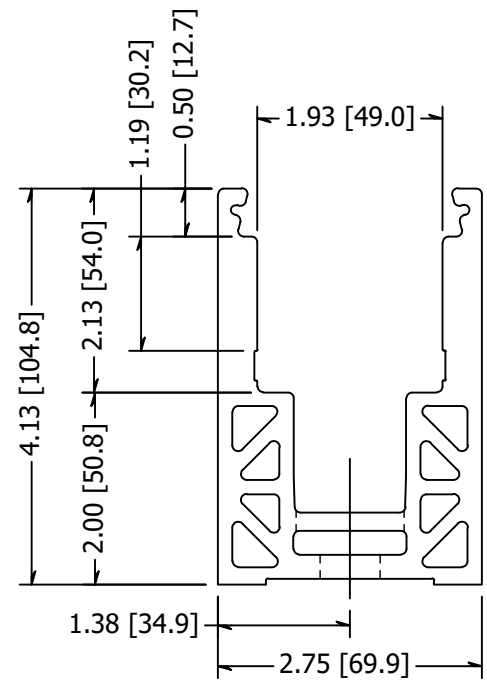
TOLERANCE X.X..... = ± .060 X.XX..... = ± .030 X.XXX..... = ± .010 XX°..... = ± 1° UNLESS OTHERWISE NOTED	CUT LENGTH:	FINISH:	DESCRIPTION: PanelGrip 2 for 1/2" Glass, Dry Mount Mechanism, with Black Isolator and Black Pad	
		As Is	MATERIAL:	MATERIAL DESC:
	DEVELOPED LENGTH:	WEIGHT:	DATE:	REV:
		0.30 lbmass	3/18/2019	3
TOOL NUMBER:		DRAWN BY:	PART NUMBER:	
		K. Bauserman	PG2472S	





DETAIL B

(19) $\varnothing 0.625$ THRU
 $\varnothing 1.125 \nabla 0.438$



VIEW A-A

TOLERANCE UNLESS OTHERWISE NOTED, TOLERANCES TO CONFORM TO ES.03.011	MATERIAL: Aluminum	DESCRIPTION: Shoe Moulding, AL, PanelGrip, 2-3/4In Wide 4-1/8 In High, CBored Holes 6 In Center, 10ft Length	
	FINISH: As Extruded	DATE: 2/10/2020	REV: -
	WEIGHT: 48.62 lbmass	DRAWN BY: A. Seeboth	
		ITEM NUMBER: GR2457HCB6-10	


WAGNER™
 COLLABORATIVE METALWORKS
 10600 W Brown Deer Rd
 Milwaukee, WI 53224
<http://www.wagnercompanies.com/>