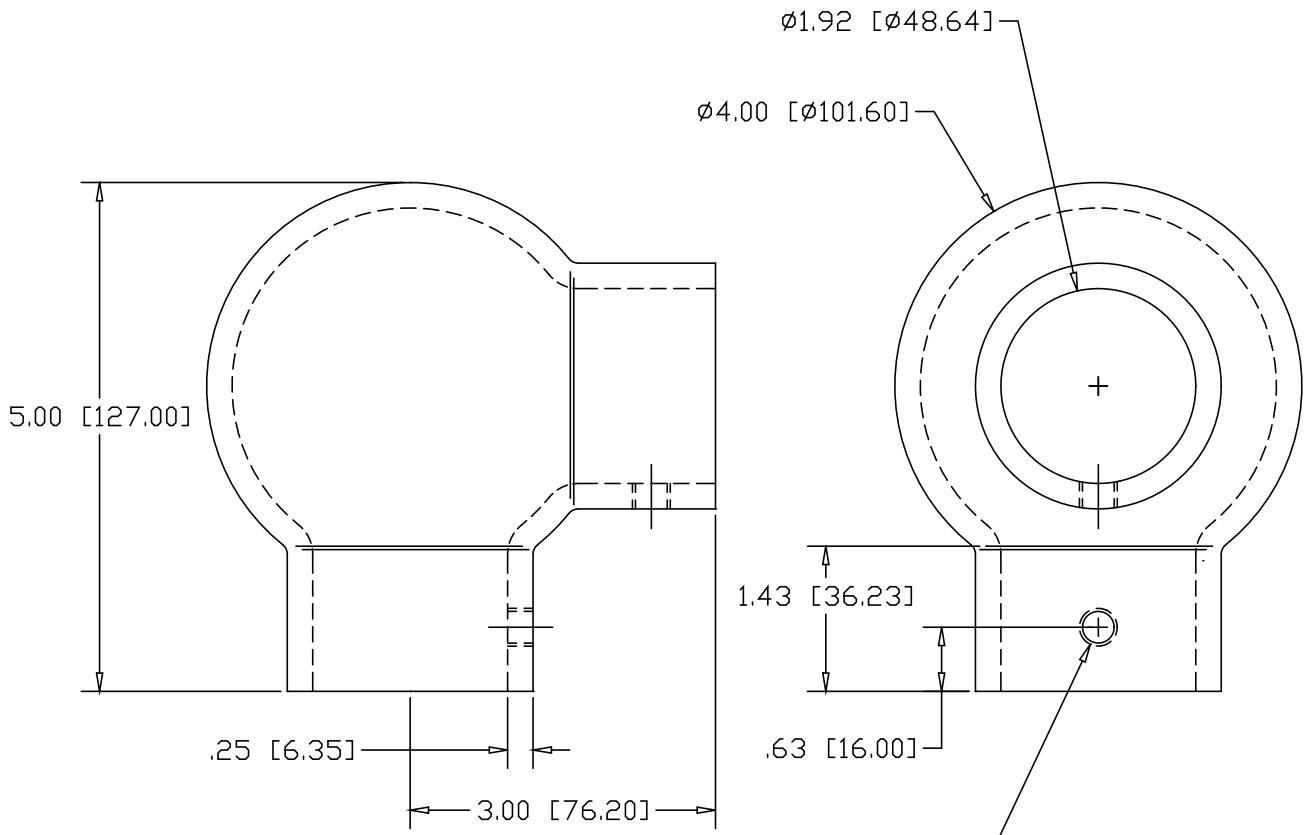


REV
SH
WR210
DWG NO

REVISIONS			
REV	DESCRIPTION	DATE	APPROVED



3/8-16 TAP FOR SET-SCREW
(2) PLACES TYP AS-SHOWN

INCHES [MILLIMETERS]

PART NAME BALL FITTING ELBOW FOR 1-1/2" PIPE			
MATERIAL CAST ALUMINUM			
DATE 1/06/03		THE WAGNER COMPANIES R & B WAGNER, INC. AND J. G. BRAUN CO.	
DRAWN BY RJF			
FINISH MILL	SIZE A	WEIGHT	PART NUMBER WR210
			REV