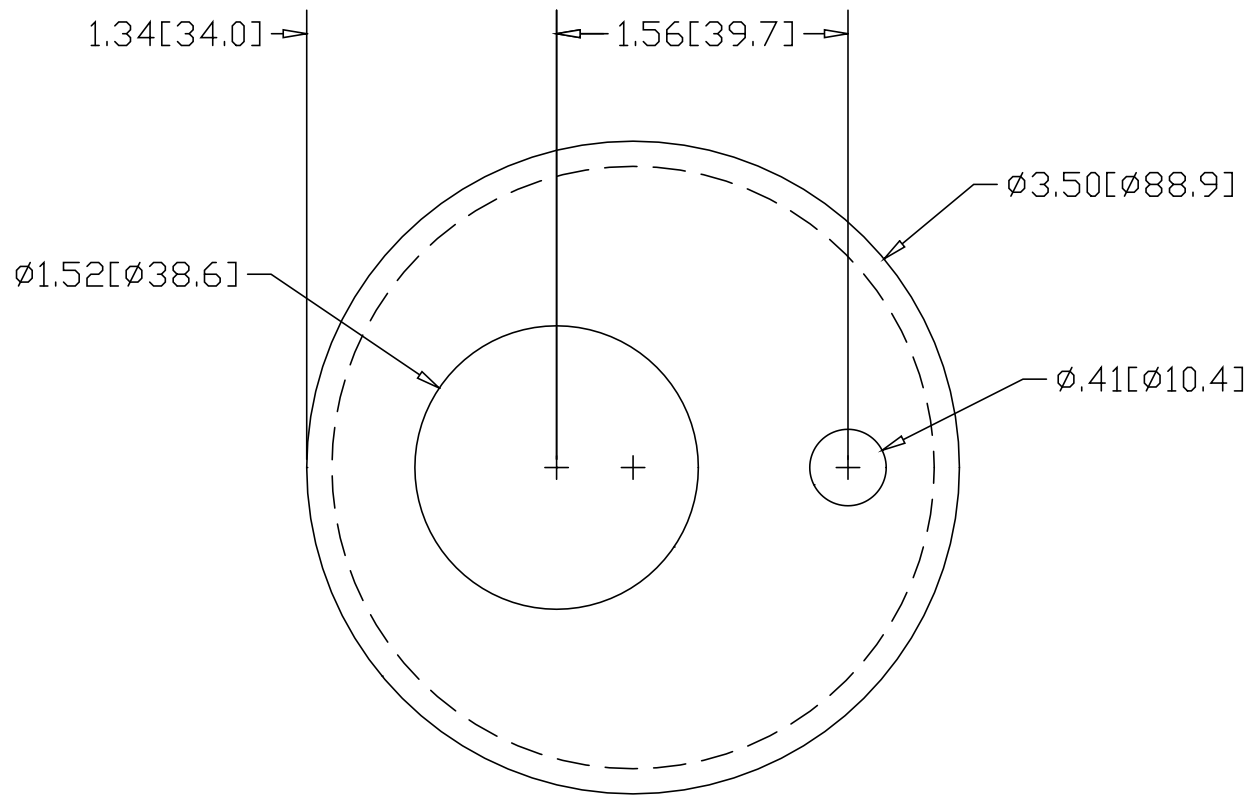



REV
SH
DWG NO 2534RT

REVISIONS			
REV	DESCRIPTION	DATE	APPROVED



INCHES [MILLIMETERS]

ALTERNATE MATERIAL	PART NUMBER
.125 (3003) ALUMINUM ASTM B209	2574RT
10 GA. (304) STAINLESS STEEL ASTM A240	2614RT

PART NAME		1.50" OD TUBE SIZE HFB OFFSET FLANGE	
MATERIAL		10 GA. HRP&D STEEL ASTM A569	
DATE	4/5/99	 R & B WAGNER, INC.	
DRAWN BY	RJF		
FINISH	MILL	SIZE	A
		WEIGHT	.41 LBS
		PART NUMBER	2534RT
		REV	